

---

# BRISTAN

---

## Installation Instructions and User Guide

Evo Riser Rails and Kits

### Models Covered:

EV KIT-EFB C, EV KIT-EEFB C H,  
EV KIT-EEFB C, EV KIT-EEVK C

**Please keep this booklet for future  
reference.**

Installer, when you have read these  
instructions please ensure you leave  
them with the user.

# Contents

Thank you for choosing Bristan, the UK's leading taps and showers expert. We have designed these products with your enjoyment in mind.

To ensure that they work to their full potential, they need to be fitted correctly. These fitting instructions have been created to give you all of the information you need and, if you need any further help, please do not hesitate to give us a call on 0300 026 6273.

## Contents

- Important Safety Information **3**
- Dimensions (mm) **4-5**
- Pack Contents **6**
- Installation **7-9**
- Operation **9**
- Maintenance **10**
- Troubleshooting **11**

# Important Safety Information

**Please read these instructions thoroughly and retain for future use.**

All products manufactured and supplied by Bristan are safe provided they are installed, used correctly and receive regular maintenance in accordance with these instructions.

If you are in any doubt about your ability to install this product safely you must employ the services of an experienced qualified plumber.

This product needs to be installed in accordance with, and meet the requirements of the Water Supply (Water Fittings) Regulations 1999 and current byelaws. For full Installation Requirements & Notes (IRN) please visit [wras.co.uk/directory](http://wras.co.uk/directory).

Before starting any installation please consider the following:



Before drilling into walls, check that there are no hidden electrical wires, cables or water supply pipes. This can be checked with the aid of an electronic detector.

If power tools are used do not forget to:

- Wear eye protection
- Unplug equipment after use

- Remove all packaging and check the components for damage.
- Do not use if the shower head or hose has been damaged or blocked.
- Do not block the flow of water from the shower head, by placing it (smothering it) on your hand or any other part of your body or foreign object.
- Do not crush or kink the shower hose, this could damage the hose and cause leaks.
- This product must not be modified in any way as this will invalidate the guarantee.

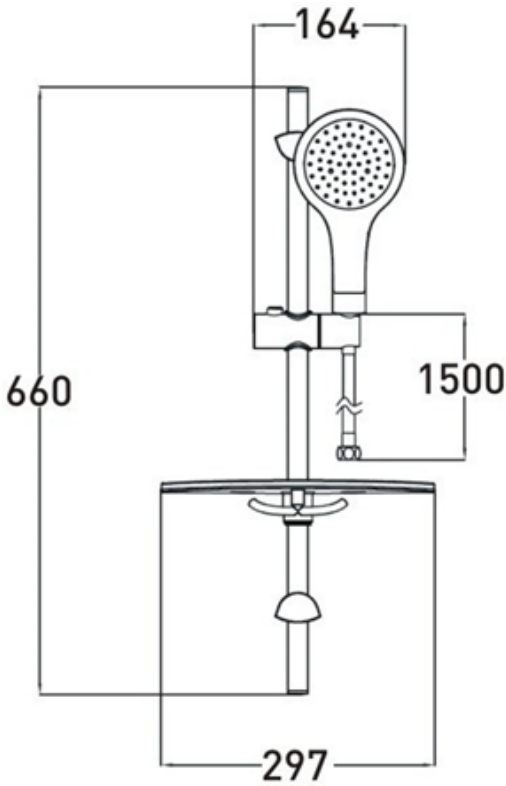
If in doubt, contact a registered plumber or your Local Water Authority or the Secretary of the Institute of Plumbing, address as follows:-

The Institute of Plumbing,  
64 Station Lane,  
Hornchurch,  
Essex,  
RM12 6NB, Tel: 01708 472791

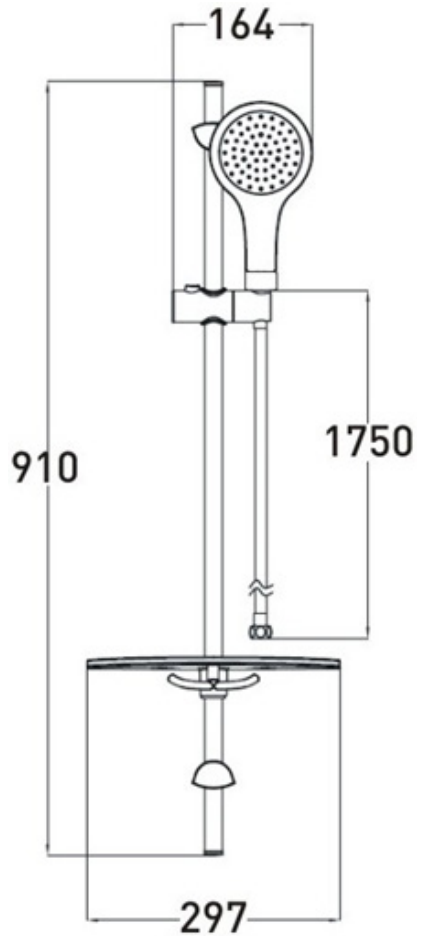
Recommended Usage			
Domestic		Heavy Commercial	
Light Commercial		Healthcare	

# Dimensions (mm)

EV KIT -EFB C

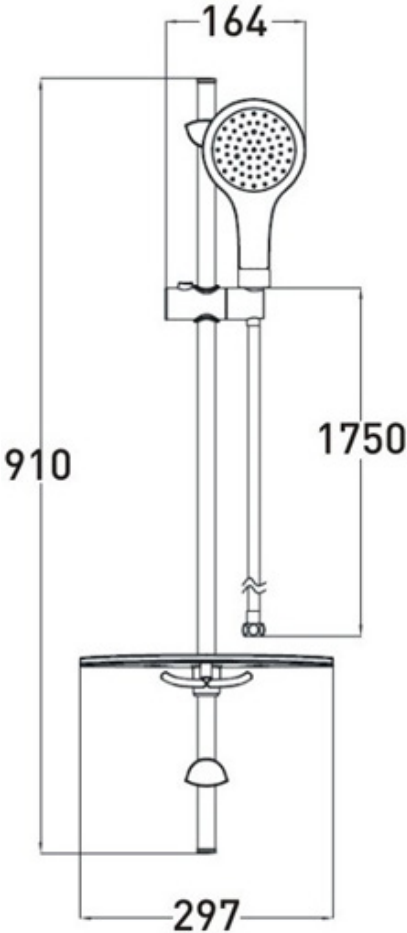


EV KIT -EEFB C

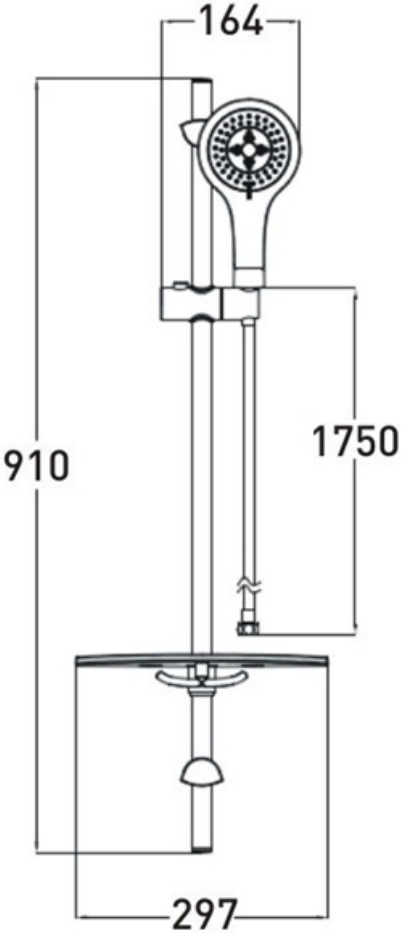


# Dimensions (mm)

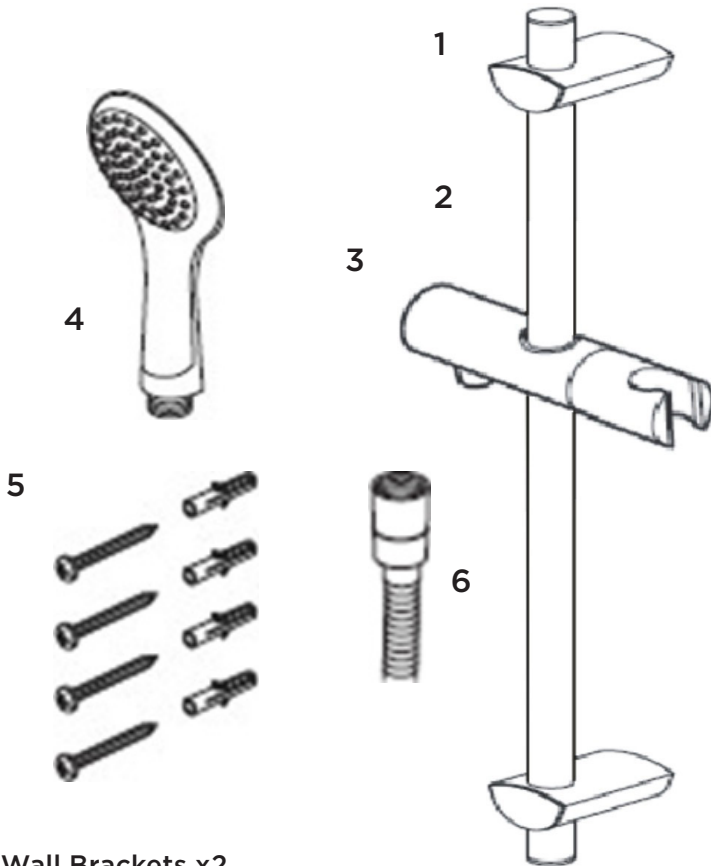
EV KIT -EEFB C H



EV KIT -EEVK C



# Pack Contents



1. Wall Brackets x2
2. Riser Rail x1
3. Slider x1
4. Handset x1
5. Fixings x4
6. Hose x1
7. Shelf \*not shown x1

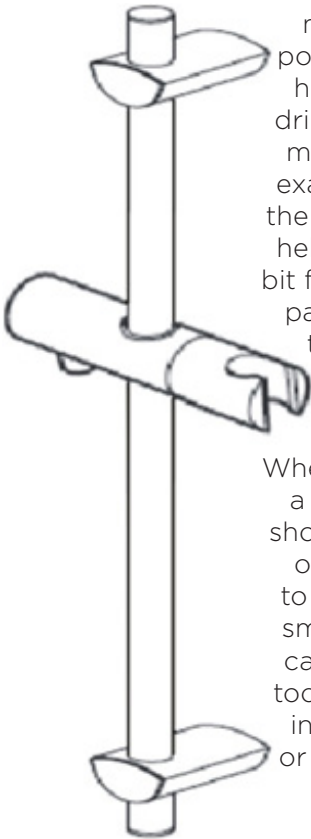
# Installation

## 1. Mark the position

Position the assembled riser rail onto the wall, bearing in mind the highest maximum position required for the handset. With the riser rail vertical, mark the position of the wall brackets onto the wall surface.

**Tip:** A piece of insulation or masking tape positioned where holes are to be drilled and before marking out the exact position for the fixing holes will help stop the drill bit from wandering, particularly on a tiled surface.

When working near a basin, bath or shower insert plug or cover waste to prevent losing small parts. Take care not to drop tools / equipment into basin, bath or shower during installation.



## 2. Attach wall bracket fixings

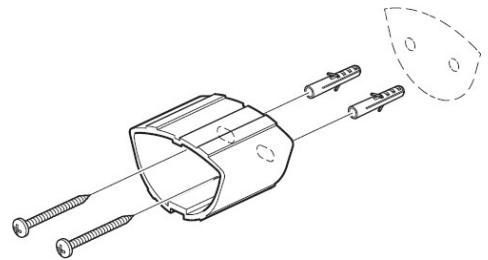
Remove the wall brackets from the rail and then remove the fixings from the wall brackets.

Position the fixing bracket in the marked positions against the wall, ensure they are vertically in line with each other and mark the centres of the fixing holes onto the wall.



**Warning:** Please check for any hidden pipes and cables before drilling holes in the wall.

Drill suitable holes and insert the wall plugs. Securely attach the fixing brackets to the wall using the screws.



# Installation

## 3. Insert riser rail

Ensure the rail clamps are in position and push the riser rail up through the bottom wall bracket.

Push the shelf and slider down onto the riser. Ensure the slider it is the correct way up, as shown opposite.

Push the riser rail up through the top wall bracket.

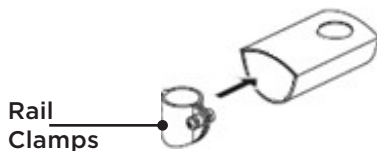
## 4. Tighten rail clamps

Centre the riser rail within the wall brackets and tighten both clamps located inside the wall bracket onto the rail.

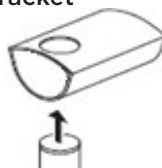
## 5. Fit the riser to the wall

Slide the riser brackets over the bracket fixings attached to the wall. Tighten the grub screw on the underside of both top and bottom wall brackets using a 2.5mm hexagonal key.

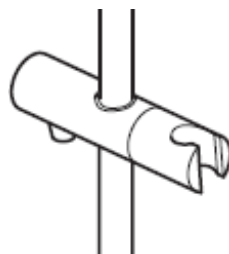
### Component Order



### Bottom Bracket



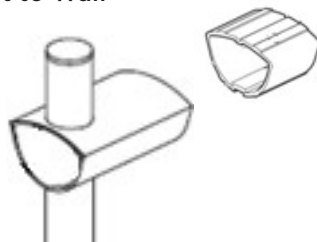
### Shelf then Slider



### Top Bracket



### Fit to Wall





# Installation

## 6. Connect shower hose

Screw the shower hose (ribbed end) onto the shower valve outlet (not supplied), ensuring the rubber washer is fitted.

## 7. Connect shower hose to shower head

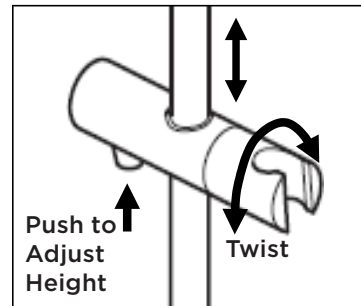
Screw the shower hose (conical end) onto the shower head ensuring that the rubber washer is fitted.

Place the shower head into the slider.

## Adjusting the Slider

Press the button on the underside of the slider to move higher or lower for user height.

To adjust the angle of the shower head, twist the slider bracket to the desired position.



# Operation

## EEVK Multi-Function Handset

The multi-function shower head has 3 spray functions, spray, jet and combination. Simply rotate the spray head one way or the other to the desired spray pattern.



# Maintenance

## General Cleaning

Bristan products are made from premium materials, with hand polishing and electroplated finishes.

Your product should be regularly cleaned with warm water, a mild pH-neutral liquid soap, and polished with a soft cloth. Any residues from soap, toothpaste, shampoos and shower gels can cause blemishes if not rinsed off straight after use.

Household bleaches and cleaners contain harsh chemicals and may damage the surface finish. Avoid using abrasive cloths, scouring pads, scrub sponges, steel wool or anything similar.

Some surfaces such as nickel and pewter may be affected by the dye found in some cloths, so it is also important to avoid hanging cloths on spouts.

Your Bristan shower head has rub-clean nozzles for easy cleaning. Simply rub your fingers across the rubber spray jets regularly and before you turn the shower on to remove any scale or debris.

## Cleaning the Shower Head

The hardness of the water in your area will determine how often you should clean your shower head. Build up of scale in particularly hard water areas combined with constant use means you may need to clean your shower head once a week. To ensure continued performance the shower head needs to be regularly de-scaled.

# Troubleshooting

Symptom	Cause	Remedy
<b>No flow or low flow rate</b>	Partially closed isolation valve.	Open isolation valve.
	Instantaneous water heater cycles on and off as flow rate or pressure is too low.	Increase water flow rate or pressure through system.
	Head of water is below the minimum distance required.	Refer to the shower valve's instruction booklet for minimum distance required.
	Airlock or partial blockage in the supply pipework.	Flush through pipework to ensure removal of debris and any airlocks.
	Inlet filter in shower valve is blocked	Refer to the shower valve's instruction booklet for guidance.
	Check the shower head, hose and filters for any blockage.	Clean as per the Maintenance section.
	Shower hose is kinked, causing a blockage.	Un-kink the shower hose. Replace if damaged.
<b>Water leaking from shower head</b>	This is normal for a short time after using the shower.	This is caused by residual water tension, the build up of water in the shower. Adjust the angle of the shower head as necessary to vary draining time.
	Shower valve failing to close fully, possibly due to water borne debris.	Refer to the shower valve's instruction booklet for guidance.

**Issue: D4**

**Part Number: COM EV KITS**

# BRISTAN

**Bristan Group Ltd.**

Birch Coppice Business Park  
Dordon  
Tamworth  
Staffordshire  
B78 1SG

**Web:** [www.bristan.com](http://www.bristan.com)

**Email:** [enquire@bristan.com](mailto:enquire@bristan.com)

**A Masco Company**

At Bristan, we want to make things as easy as possible for our customers. That's why we offer solid guarantees on all our products, effective from the date of purchase, to give you peace of mind. To start your free guarantee simply scan the QR code and register your product. Alternatively visit [www.bristan.com/register](http://www.bristan.com/register).

For any other queries, please call our Customer Service on 0330 026 6273 where our expert team of advisors will be able to offer you any help and advice. For full guarantee terms and conditions visit [www.bristan.com/guarantees](http://www.bristan.com/guarantees).



*We Know & We Care*