

# EC SNK EF BN

## ECHO Tap Range Echo Easyfit Mono Sink Mixer Brushed Nickel



### Features:

- Long life and easy to use 1/4 turn ceramic disc valves
- Metal fixing nut for added durability
- Easyfit base included
- Flexible tails included

### Product Certifications:



WRAS Cert. Number: 2012918  
WRAS Expiry Date: 31/12/2025



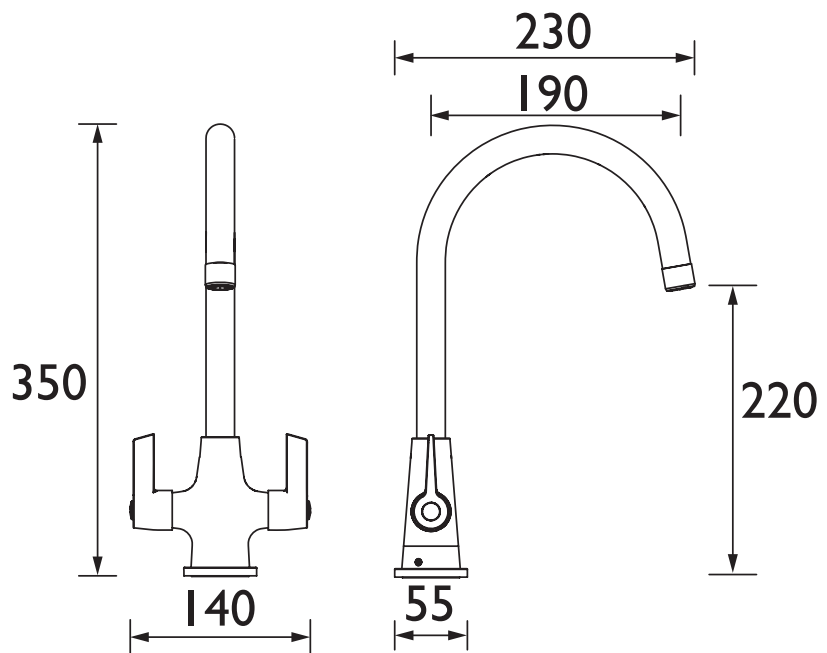
For more products, visit our website:  
<http://www.bristan.com>



### Specification

Product Type:	Kitchen Taps
Main Construction Material:	Brass
Mount Type:	Deck
Handle Type:	Lever
Connection Inlet:	1/2" BSP Female Flexible Tails
Connection Outlet:	M24 Aerator Laminar Max. Flow
Number of Tap Holes:	1
Valve/Cartridge Type:	1/2" Ceramic Disc Valve
Plumbing System Requirements:	Suitable for all plumbing systems
Minimum Dynamic Pressure (bar):	0.4 bar
Maximum Dynamic Pressure (bar):	5.0 bar
Maximum Hot Water Temperature °C:	65°C
Maximum Static Pressure (bar):	10 bar
Flow Type:	Single Flow
Isolation Included:	Yes

### Dimensions (measurements in mm)



### Flow Rates (l/min)

System Pressure (bar)	0.4	0.5	1	2	3	5
EC SNK EF BN (mixed)	10.8	12.0	17.0	24.1	29.5	38.1

## TECHNICAL DATA SHEET



# BRISTAN