

# PRODUCT DATA SHEET

## Harrogate Kitchen Tap

Product Code: NICK13



**SCUDO**  
BEAUTIFUL BATHROOMS

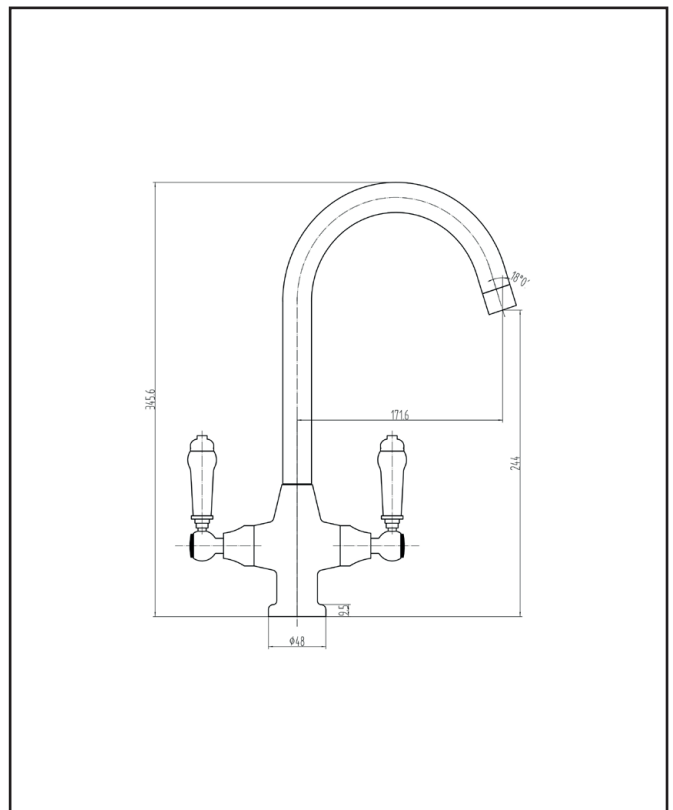
0330 124 7290

sales@scudo.co.uk - www.scudo.co.uk

Scudo is the trading name of Harrison Bathrooms Ltd. Whilst we endeavour to ensure that the product information is accurate we accept no liability for any information given. All images are for illustration purposes only. Product images and specification are subject to change. Measurement are in millimetres and are nominal.

Product Name	NICK13
Product Description	Harrogate Kitchen Tap - Brushed Nickel
Product Transportation	
Barcode	5060500647933
Country of origin	CH
Commodity code	8481801190
Product Measurements	
Product Weight (KG)	1.26
Product Width (mm)	171.6
Product Height (mm)	245.6
Product Depth (mm)	48
Product Length (mm)	0
Primary Packed Measurements	
Packaged Weight	1.7
Packed Length	260
Packed Width	450
Packed Height	60
Packaging Weights	
Card (kg)	0.093
Paper (kg)	0
Wood (kg)	0
Plastic (kg)	0
Compliance DOP	HBD0C007, HBD0C008

General Information	
Construction Material	Brass, Stainless Steel
Installation type	Deck Mounted
Colour / Finish	Brushed Nickel
Tap / Shower Attributes	
WRAS Approved	Yes
TMV Approved	No
Minimum Operating Pressure (bar)	0.2
Maximum Operating Pressure (bar)	5
Flexible Tails Included	Yes
Number of tap holes required	1
Handle Type	Lever
Swivel Spout	Yes
Inlet Connection	1/2" M10
Outlet Connection	N/a
Tap Hole Diameter (mm)	35
Tap Type description	Manual mixer
Includes Waste	No
Valve / Cartridge Type	Quarter Turn Cartridge
Cartridge Spare code	T1006-08
Flow Rates	
0.2bar (l/min)	3.5
0.5bar (l/min)	6
1bar (l/min)	8.1
2bar (l/min)	11.5
3bar (l/min)	14



**Dimensions**  
(measurements in mm)



### LIFETIME GUARANTEE

We are confident in our products and we want our customer to be, we proudly give a lifetime guarantee on our taps and showers, further details can be found on our website