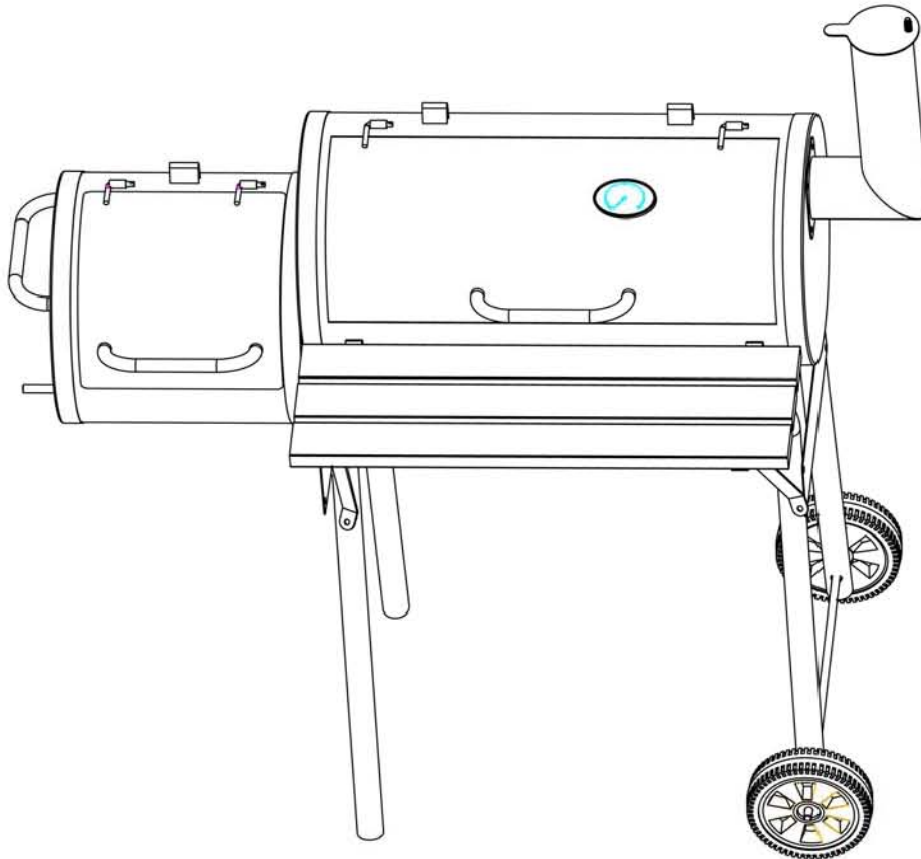


B B Q



Ⓒ

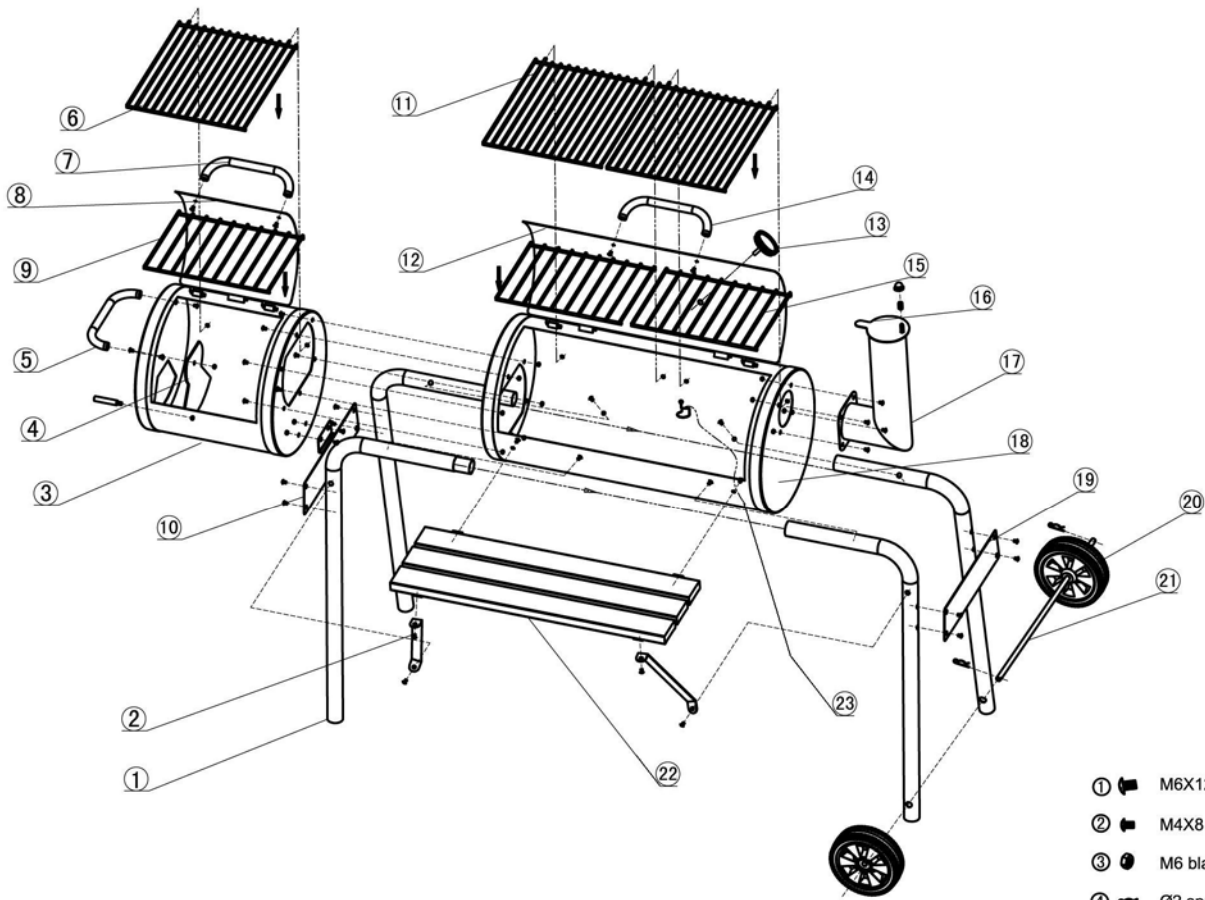
ASSEMBLY INSTRUCTIONS

READ ALL SAFETY WARNINGS & ASSEMBLY INSTRUCTIONS CAREFULLY BEFORE
ASSEMBLING OR OPERATING YOUR GRILL.

Ⓓ

MONTAGEANLEITUNG

LESEN SIE ALLE SICHERHEITSHINWEISE UND MONTAGEANLEITUNGEN SORGFÄLTIG DURCH,
BEVOR SIE DEN GRILL MONTIEREN UND BENUTZEN.



- ① M6X12 black zinc screw 31PCS
- ② M4X8 black zinc screw 6PCS
- ③ M6 black zinc hexagon nut 16PCS
- ④ Ø2 spring catch 2PCS

GB

We recommend two people work together when assembling this unit.

The following tools are required to assemble this

- Pliers
- Phillips & Flathead Screwdrivers
- Adjustable Wrench

PARTS LIST

1. 4 Legs
2. 2 Front Table Supports
3. 1 Firebox
4. 1 Firebox Air Shutter
5. 1 Push Handle
6. 1 Firebox Cooking Grills
7. 1 Firebox Lid Handle
8. 1 Firebox Lid
9. 1 Firebox Charcoal Grate
10. 1 Firebox Support
11. 2 Cooking Grills
12. 1 Grill Lid
13. 1 Temperature Gauge
14. 1 Grill Lid Handle
15. 2 Charcoal Grate
16. 1 Smokestack Damper
17. 1 Smokestack
18. 1 Grill Base
19. 2 Leg Braces
20. 2 Wheels
21. 1 Axle
22. 1 Front Shelf
23. 1 Grease Cup Holder

D

Wir empfehlen Ihnen, den Grill zu zweit zusammenzubauen.

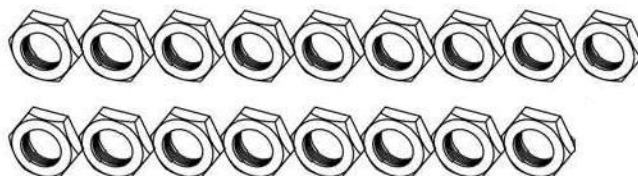
Nachstehendes Werkzeug wird dabei benötigt:

- Zange
- Schlitz- und Kreuzschlitzschraubenzieher
- Verstellbarer Schraubenschlüssel

TEILELISTE

1. 4 Füße
2. 2 Frontablagestützen
3. 1 Brennkammer
4. 1 Luftklappe für Brennkammer
5. 1 Handgriff
6. 1 Brennkammer- Grillflächen
7. 1 Brennkammerdeckelgriff
8. 1 Brennkammerdeckel
9. 1 Holzkohlenrost für Brennkammer
10. 1 Brennkammerstütze
11. 2 Grillflächen
12. 1 Grilldeckel
13. 1 Thermometer
14. 1 Grilldeckelgriff
15. 2 Holzkohlenrost
16. 1 Regulierklappe
17. 1 Kamin
18. 1 Grillbehälter
19. 2 Fußklammern
20. 2 Räder
21. 1 Radachse
22. 1 Frontablage
23. 1 Halter für Fettbehälter

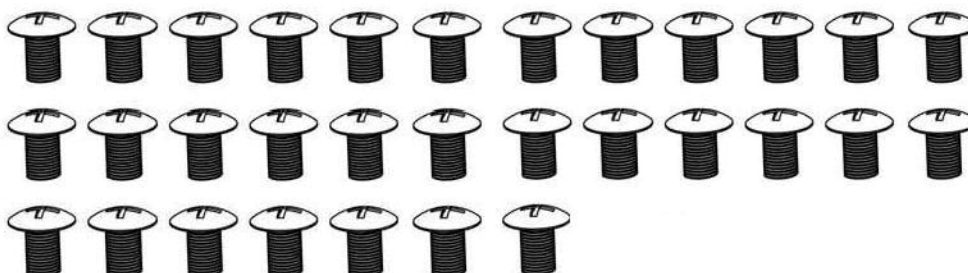
①



②



③



GB

Parts Bag Contents

1. 16M6 Hexagonal Nuts
2. 6 M4 X 8 mm
Phillips Head Bolts
3. 31 M6 X 12 mm
Phillips Head Bolts

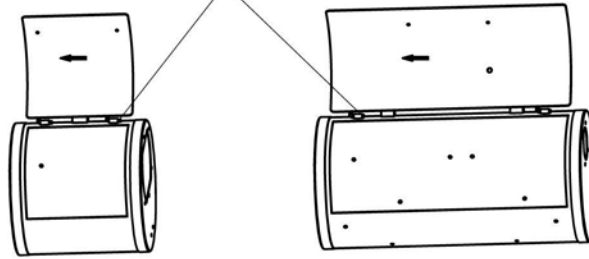
D

Inhalt des Beutels

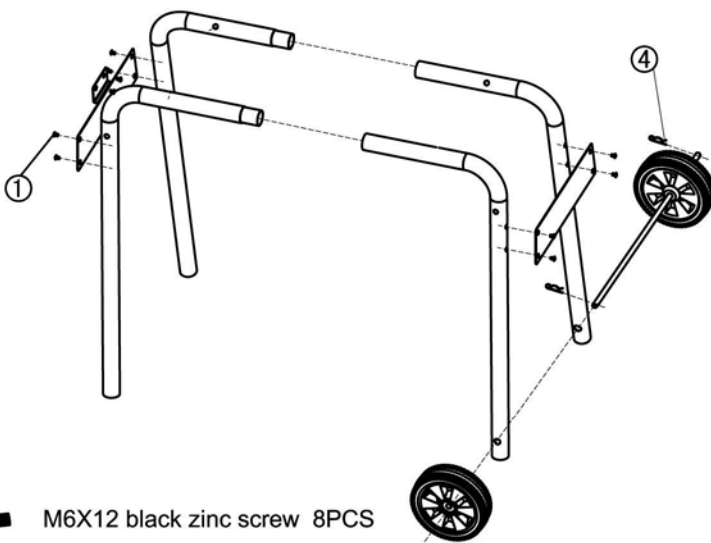
1. 16 M6 Sechseckmuttern
2. 6 M4 X 8 mmrn
Kreuzschlitz- Kopfschrauben
3. 31 M6 X 12 mmrn
Kreuzschlitz- Kopfschrauben

STEP 1

(Remove lids to easy asseble)

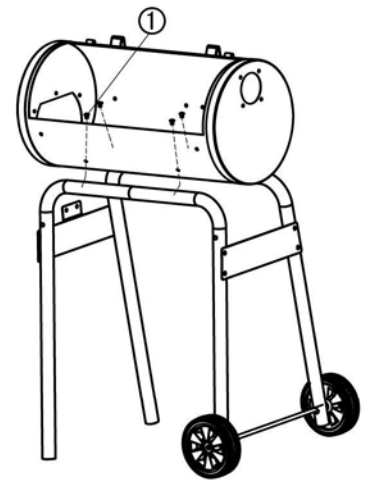


STEP 2



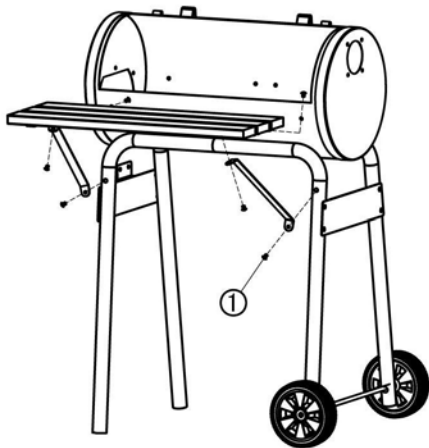
- ① M6X12 black zinc screw 8PCS
- ④ Ø2 spring catch 2PCS

STEP 3



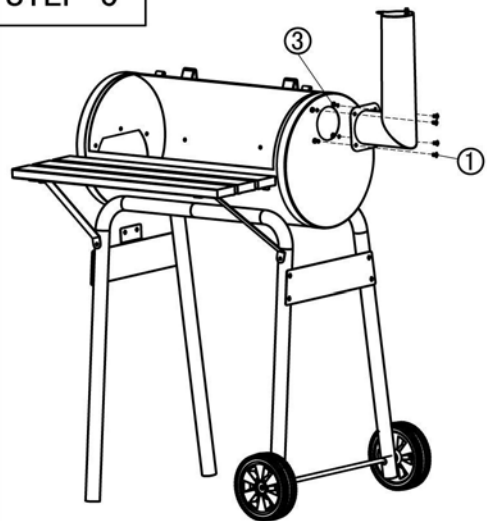
- ① M6X12 black zinc screw 4PCS

STEP 4



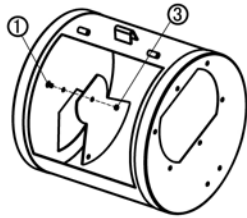
- ① M6X12 black zinc screw 6PCS
- ③ M6 black zinc hexagon nut 2PCS

STEP 5



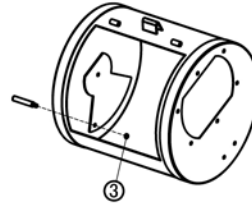
- ① M6X12 black zinc screw 4PCS
- ③ M6 black zinc hexagon nut 4PCS

STEP 6



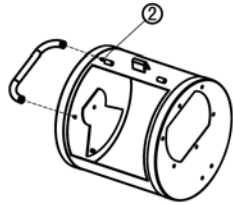
- ① ➔ M6X12 black zinc screw 1PCS
- ③ ➔ M6 black zinc hexagon nut 1PCS

STEP 7



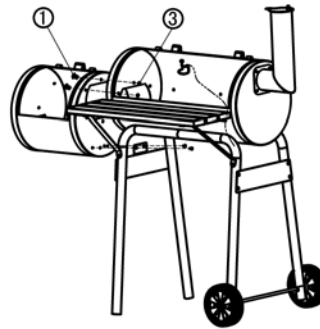
- ③ ➔ M6 black zinc hexagon nut 1PCS

STEP 8



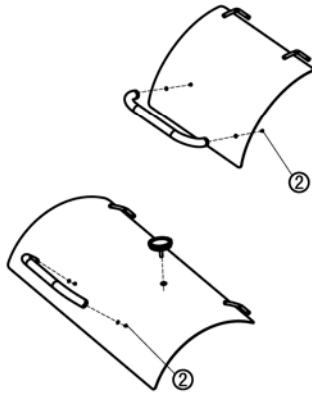
- ② ➔ M4X8 black zinc screw 2PCS

STEP 9



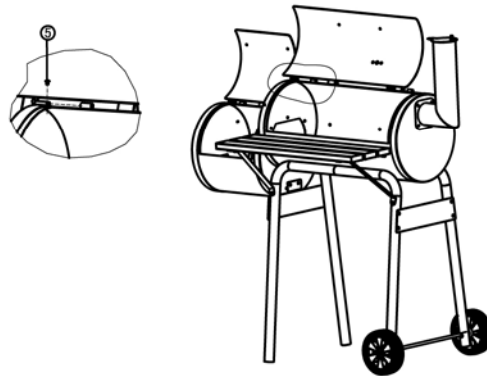
- ① ➔ M6X12 black zinc screw 8PCS
- ③ ➔ M6 black zinc hexagon nut 8PCS

STEP 10



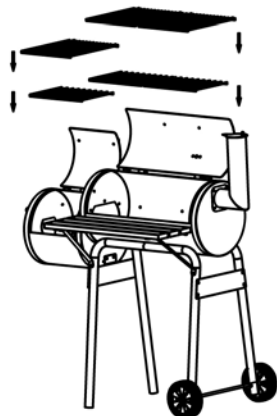
- ② ➔ M4X8 black zinc screw 4PCS

STEP 11

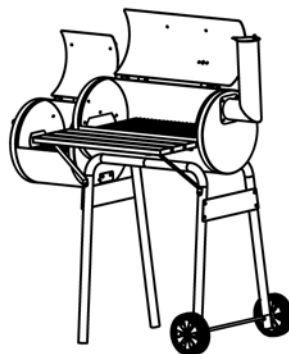


- M3X8 black zinc screw 4PCS

STEP 12



STEP 13



IMPORTANT SAFETY NOTICE AND WARNINGS

Notice:

1. Never place more than 2.8 kgs charcoal on the firebox when in use .
2. Never place more than 5kgs on the front shelf .Do not lean on the front shelf .

Warning:

1. Only use this grill on a hard ,level, non-combustible, stable surface capable of supporting the weight of the weight of the grill .Never use on wooden or other surfaces that could burn .
2. For outdoor use only .Do not operate grill indoors or in an enclosed area .
3. We recommend the use of a Charcoal Chimney Starter to avoid the dangers associated with charcoal lighting fluid . If you choose to use charcoal lighting fluid, only use lighting fluid approved for lighting charcoal. Carefully read manufacturer's warnings and instructions on the charcoal lighting fluid and charcoal prior to the use of their product .Store charcoal lighting fluid safely away from grill .
4. Do not use gasoline, kerosene or alcohol for lighting charcoal. Use of any of these or similar products could cause an explosion possibly leading to severe bodily injury .
5. Never add charcoal lighting fluid to hot or even warm coals as flashback may occur causing severe burns .
6. Place grill in an area where children and pets cannot cone into contact with unit .
Close supervision is necessary when grill is in use .
7. Do not leave grill unattended when in use .

8. Do not store or use grill near gasoline or other flammable liquids, gases or where flammable vapors may be present .
9. Use caution when adjusting charcoal grate and cooking grate height. Handle may be hot when in use .
10. Grill is hot when in use . To avoid burns:
 - i) DO NOT attempt to move the grill .
 - ii) Brace grill so the unit does not accidentally move .
 - iii) Wear protective gloves or oven mitts.
 - iv) DO NOT touch any hot grill surfaces.
 - v) DO NOT wear loose clothing or allow hair to come in contact with grill.
11. Do not exceed a temperature of 350°C . Do not allow charcoal and/or wood to rest on the walls of grill . Doing so will greatly reduce the life of the metal and finish of your grill .
12. Never leave coals and ashes in grill unattended. Before grill can be left unattended, remaining coals and ashes must be removed from grill. Use caution to protect yourself and property. Carefully place remaining coals and ashes in a non-combustible metal container and saturate completely with water .Allow coals and water to remain in metal container 24 hours prior to disposing .
13. After each use , clean the grill thoroughly and apply a light coating of vegetable oil to interior to prevent rusting .
14. Store the grill out of reach of children and in a dry location when not in use .
15. Remove all stickers and labels before first use .
16. Properly dispose of all packaging material .
17. Recommendation that the barbecue shall be heated up and the fuel kept red hot for or at least 30 min prior to the first cooking on the barbecue.
18. The offset firebox only used for smoking not for barbecue .

Yongkang Dongjie Hardware Apparatus Co.,LTD

No.15 Lantian Road Chengxi Industrial Area Yongkang City Zhejiang Province P.R.C