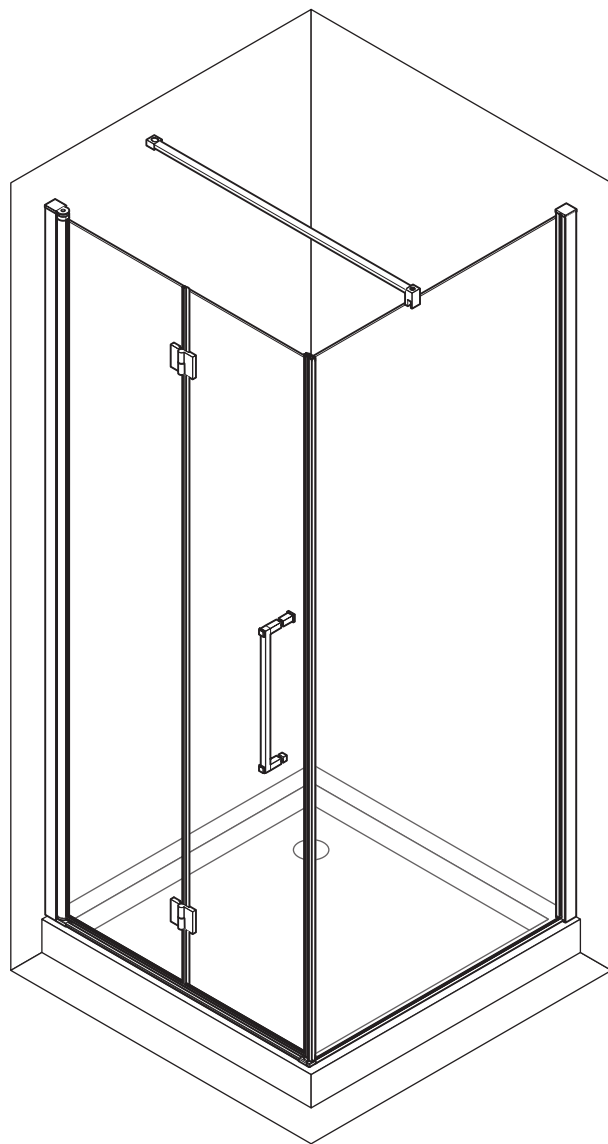
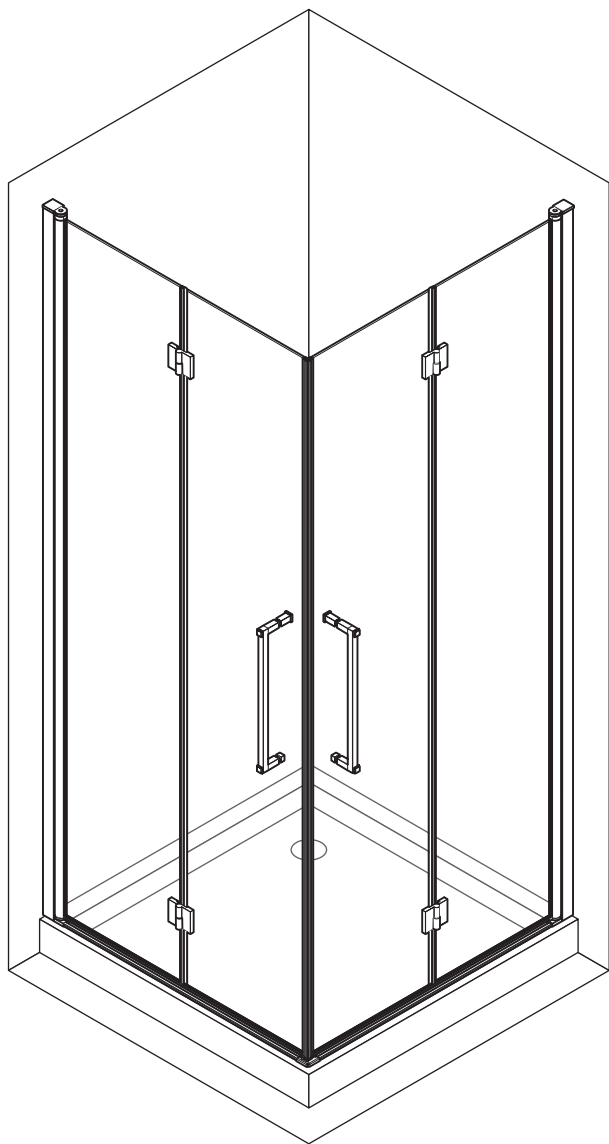
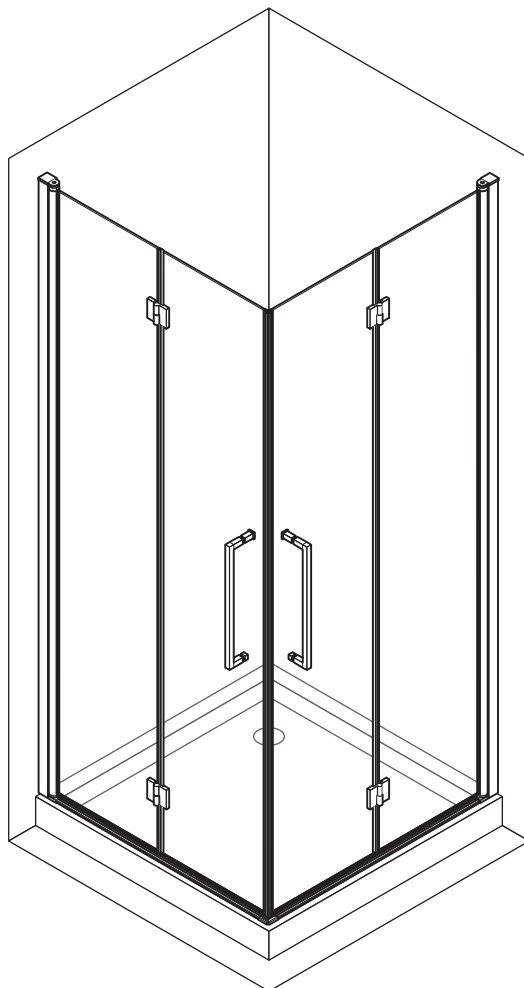


2GS

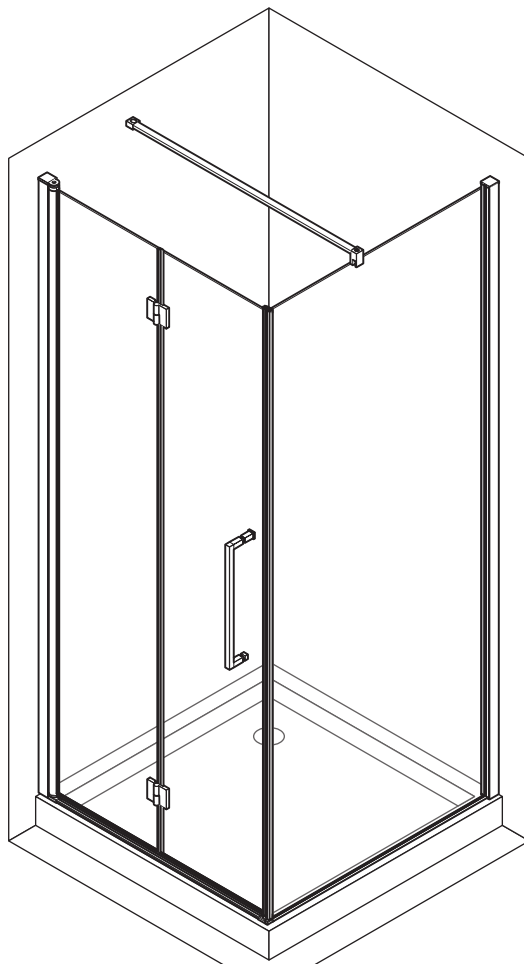


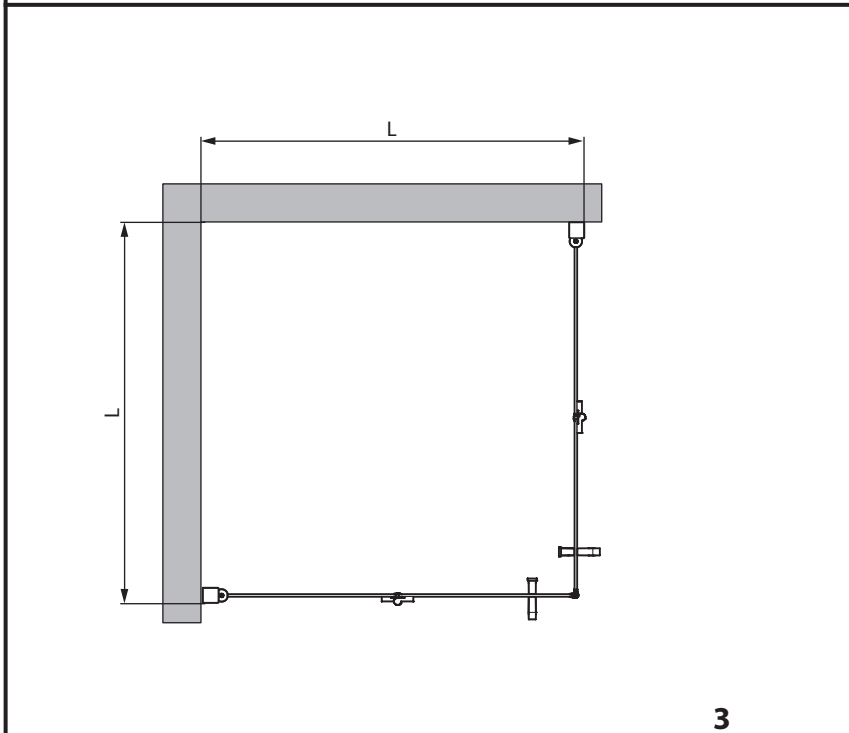
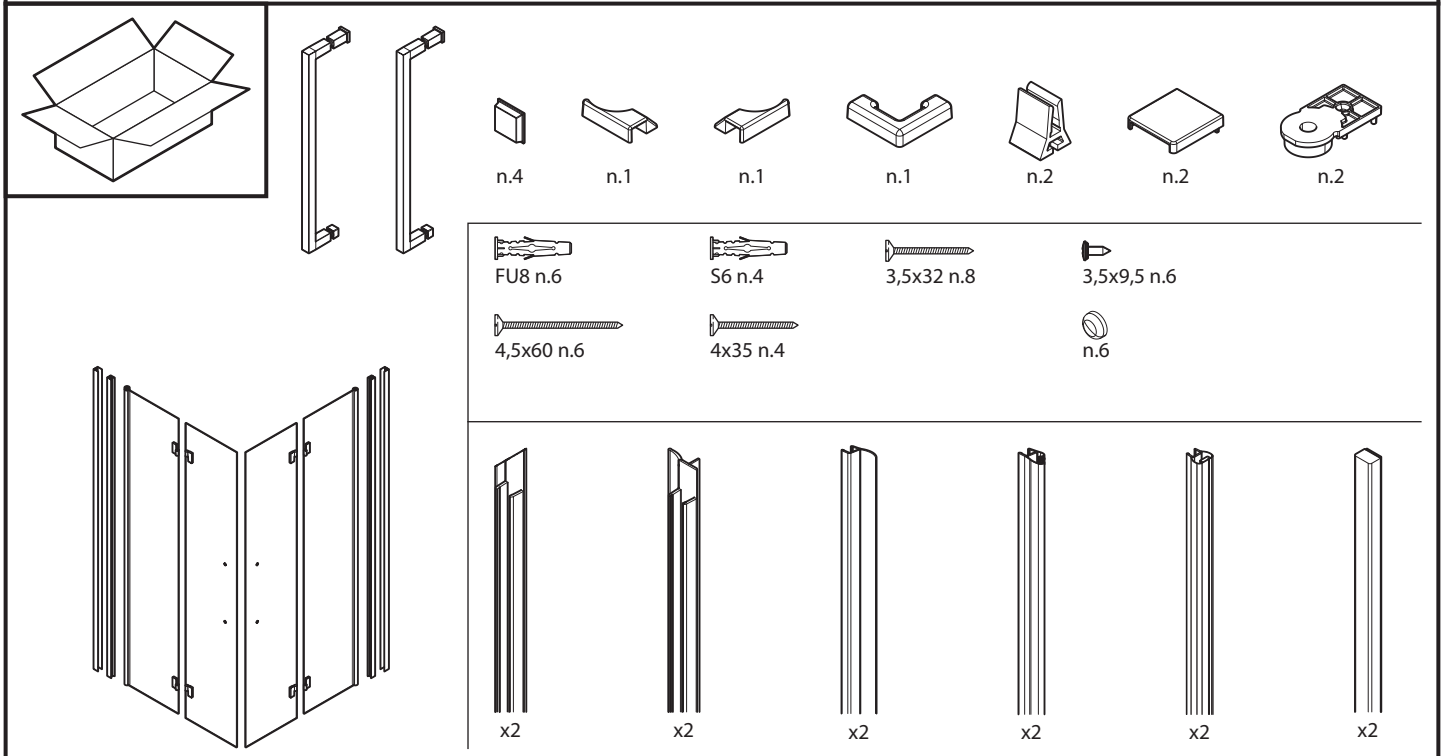
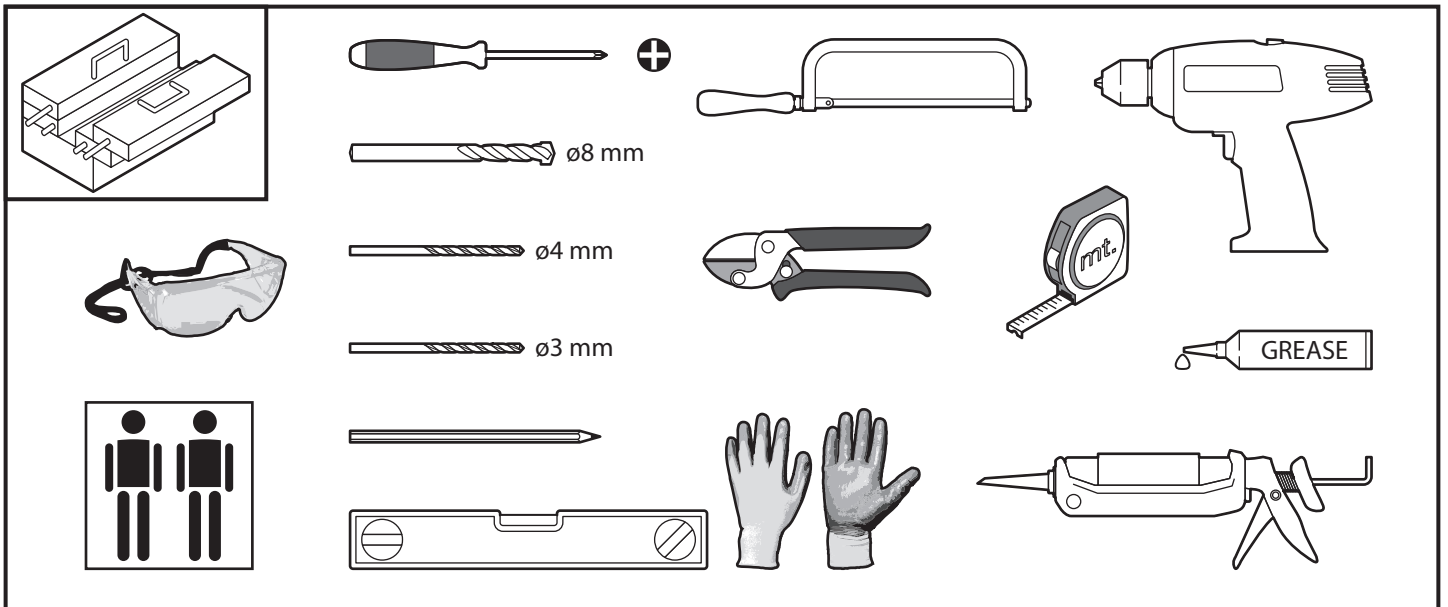
<hr/> <hr/> <hr/> <hr/>	<hr/> <hr/> <hr/> <hr/>
-------------------------	-------------------------

2GS pag. 3

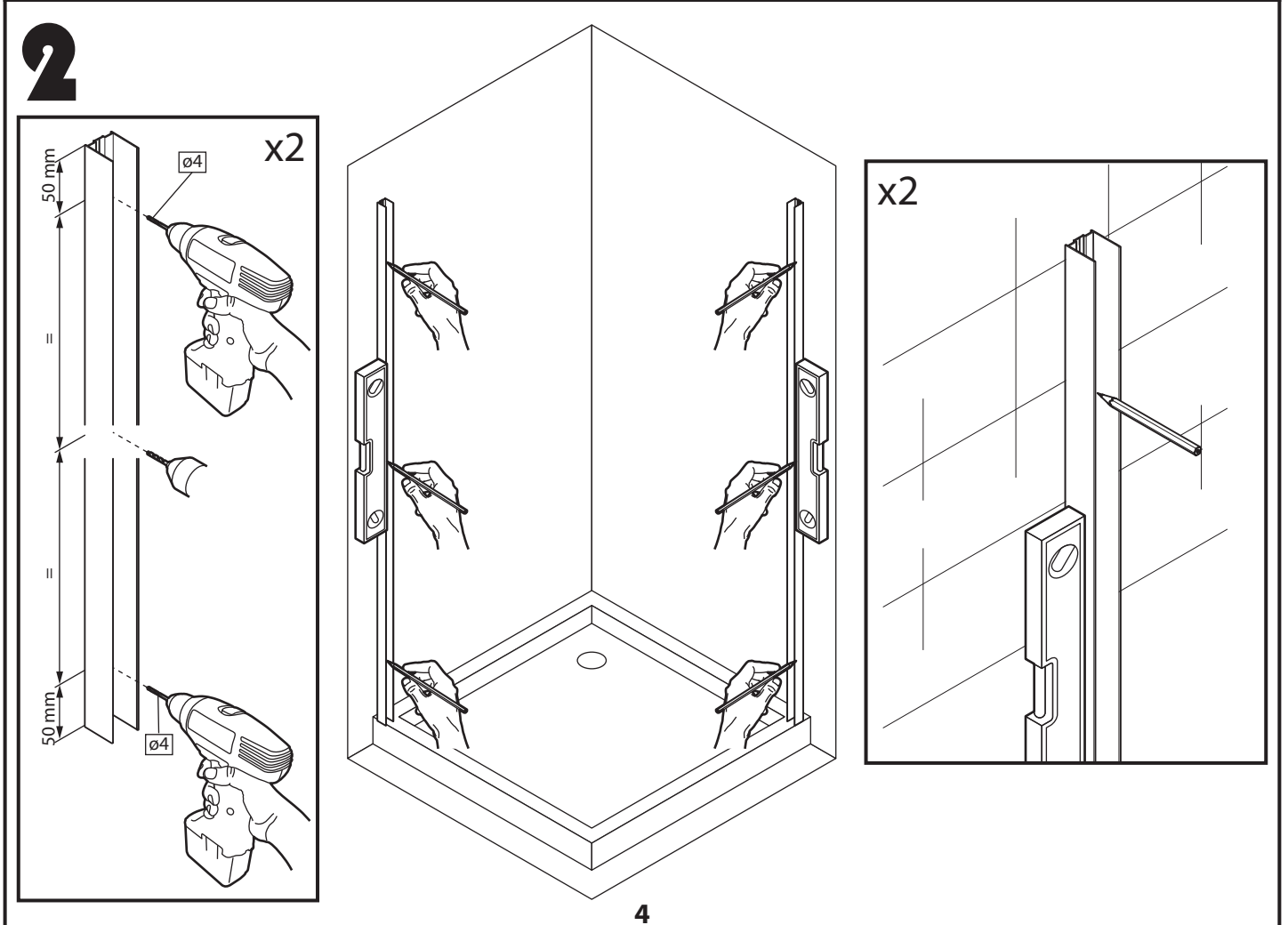
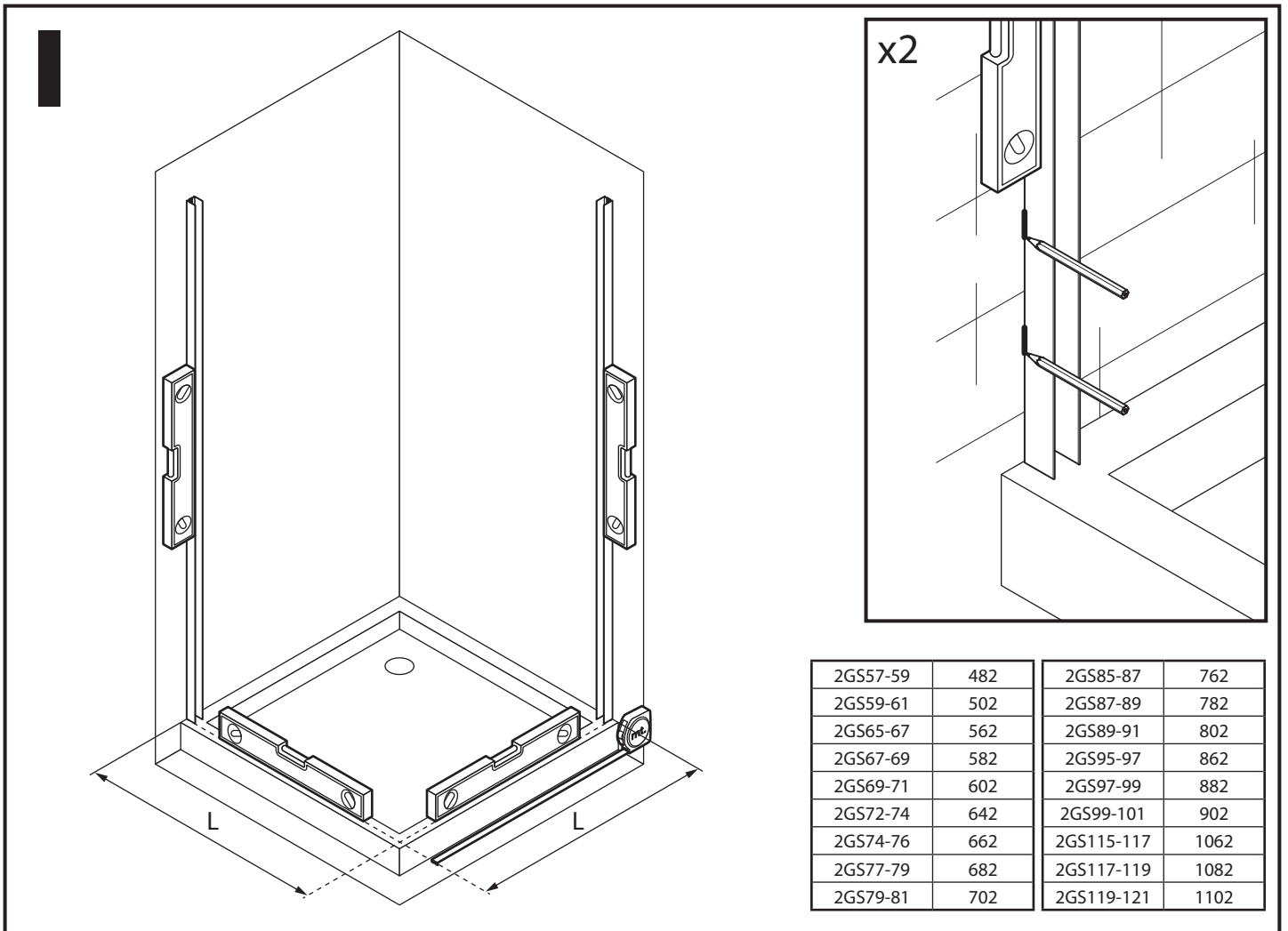


2GS+F pag. 14

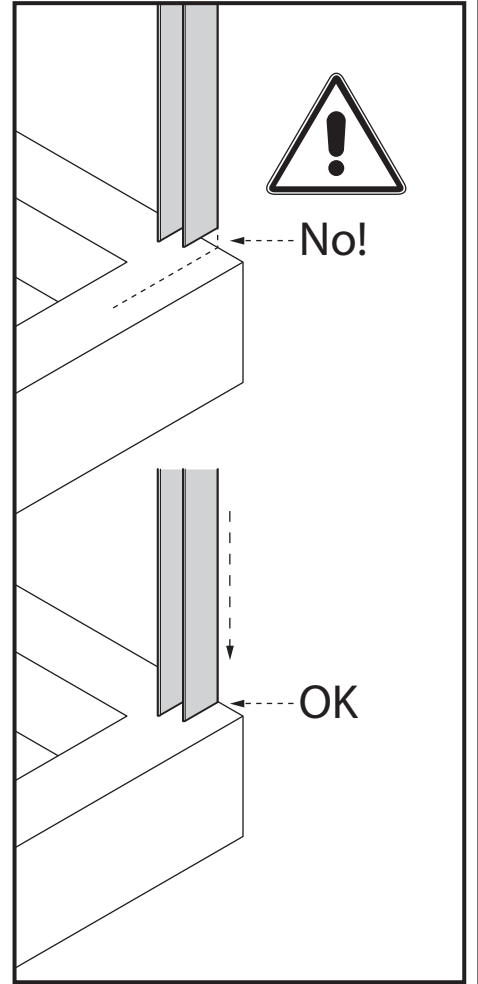
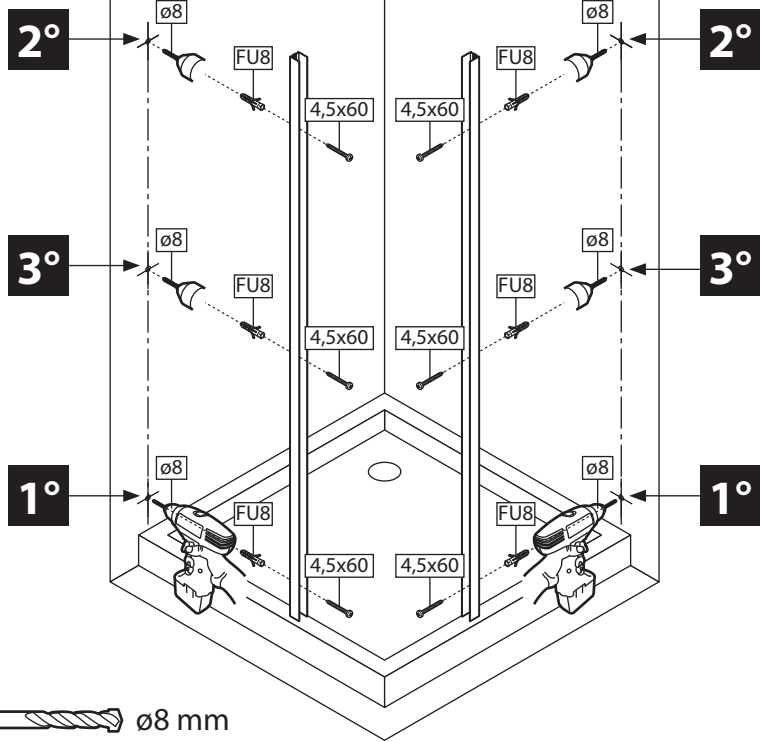




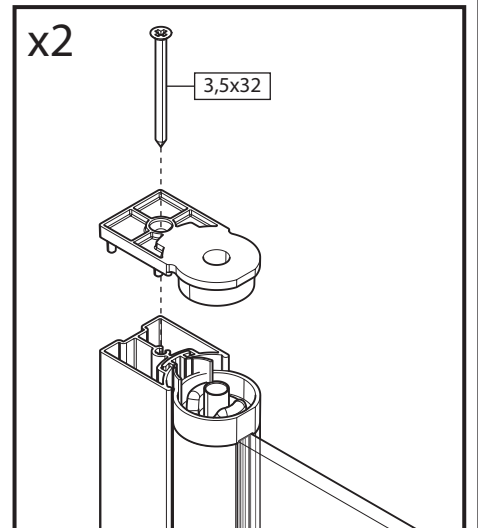
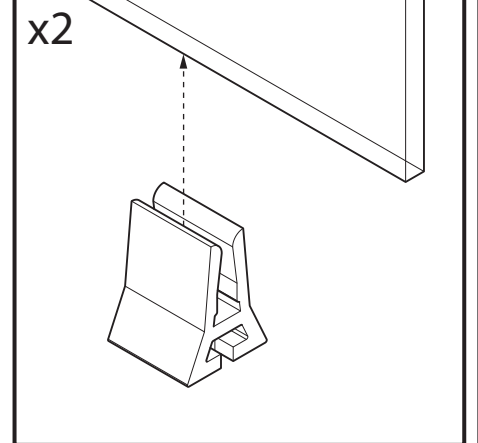
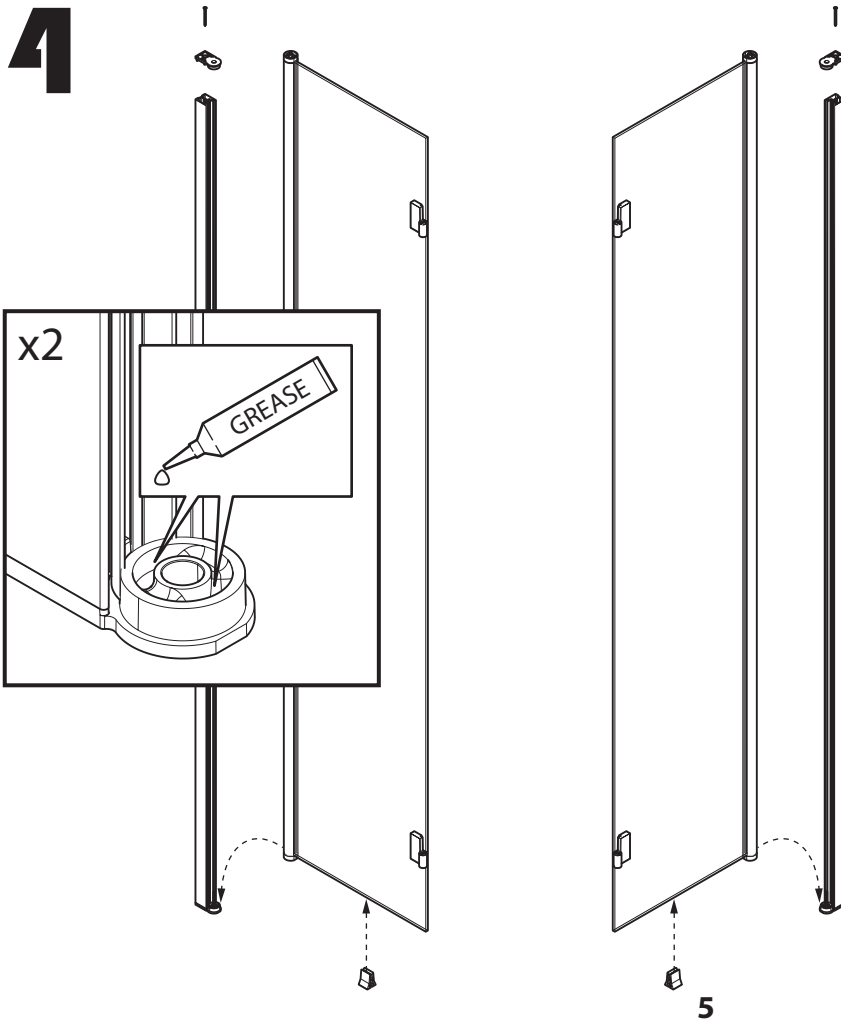
2GS57	L=57-59 cm	2GS85	L=85-87 cm
2GS59	L=59-61 cm	2GS87	L=87-89 cm
2GS65	L=65-67 cm	2GS89	L=89-91 cm
2GS67	L=67-69 cm	2GS95	L=95-97 cm
2GS69	L=69-71 cm	2GS97	L=97-99 cm
2GS73	L=73-75 cm	2GS99	L=99-101 cm
2GS75	L=75-77 cm	2GS115	L=115-117 cm
2GS77	L=77-79 cm	2GS117	L=117-119 cm
2GS79	L=79-81 cm	2GS119	L=119-121 cm



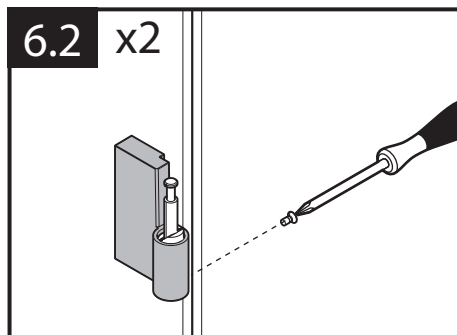
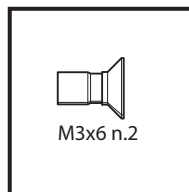
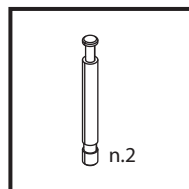
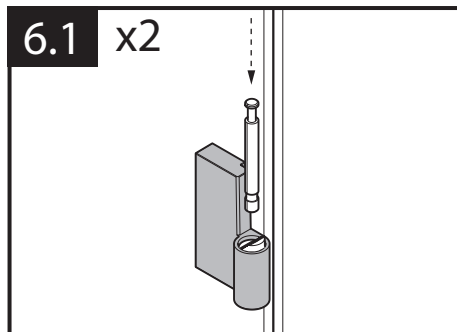
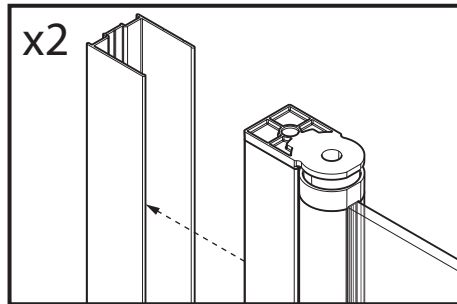
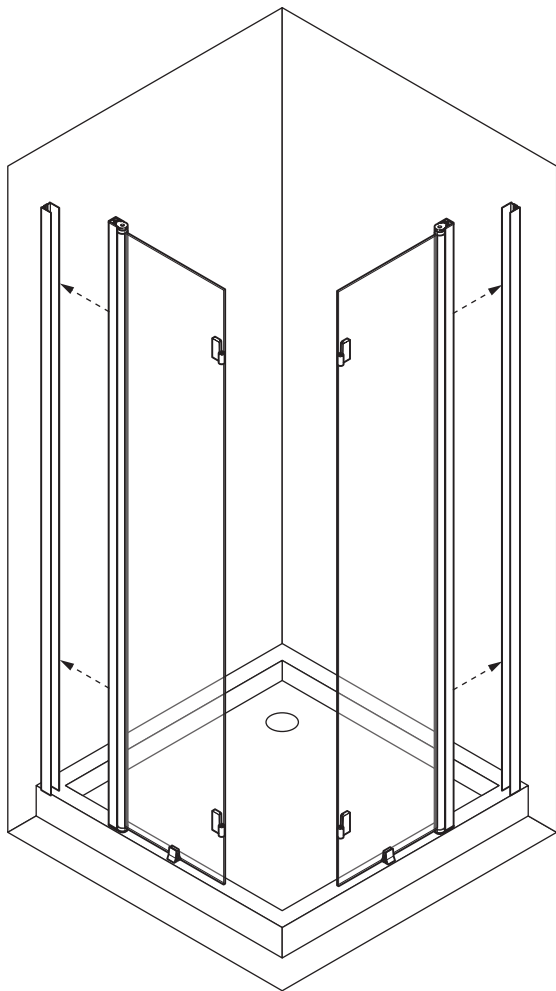
3



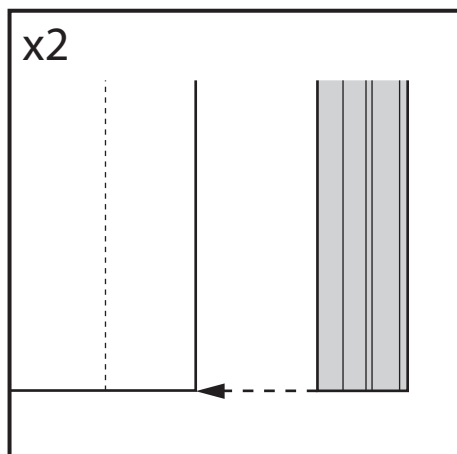
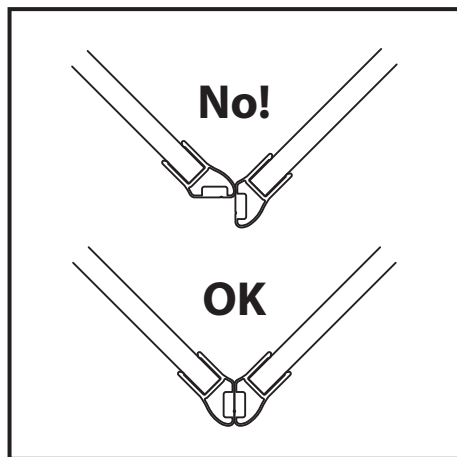
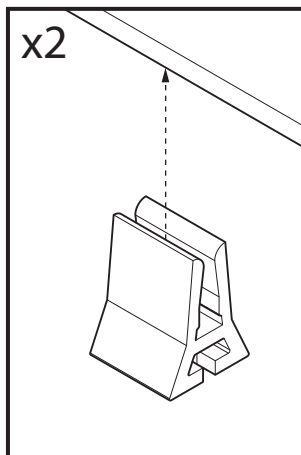
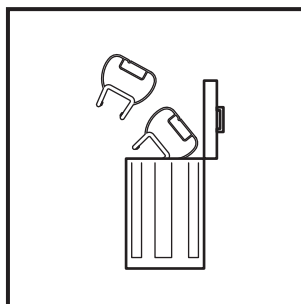
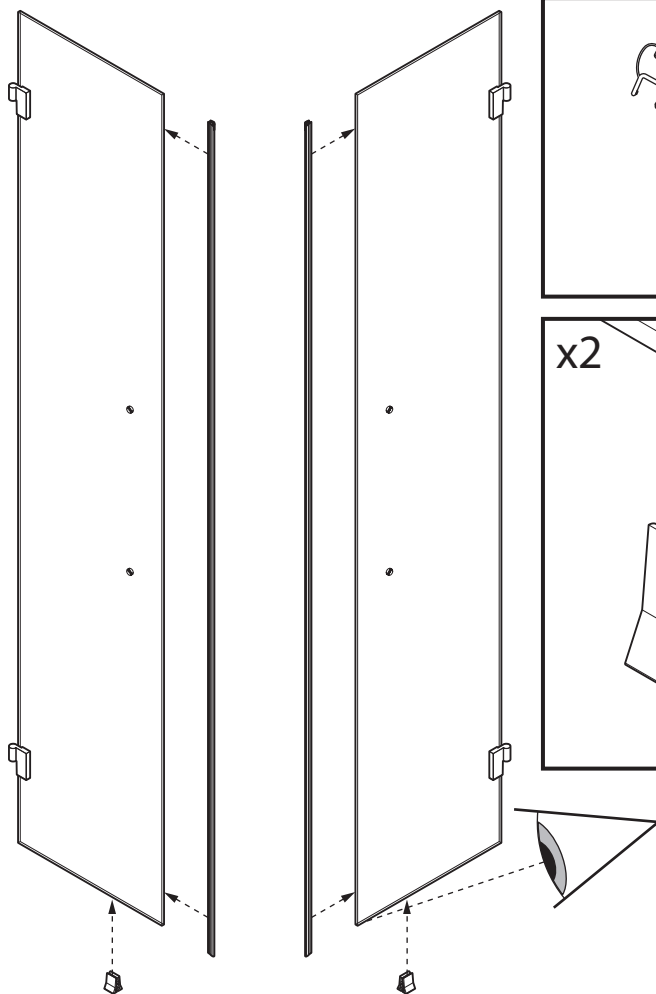
4



5

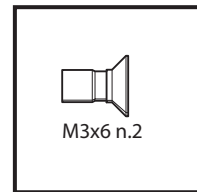
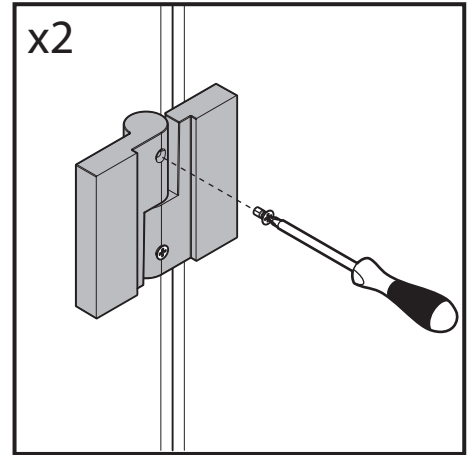
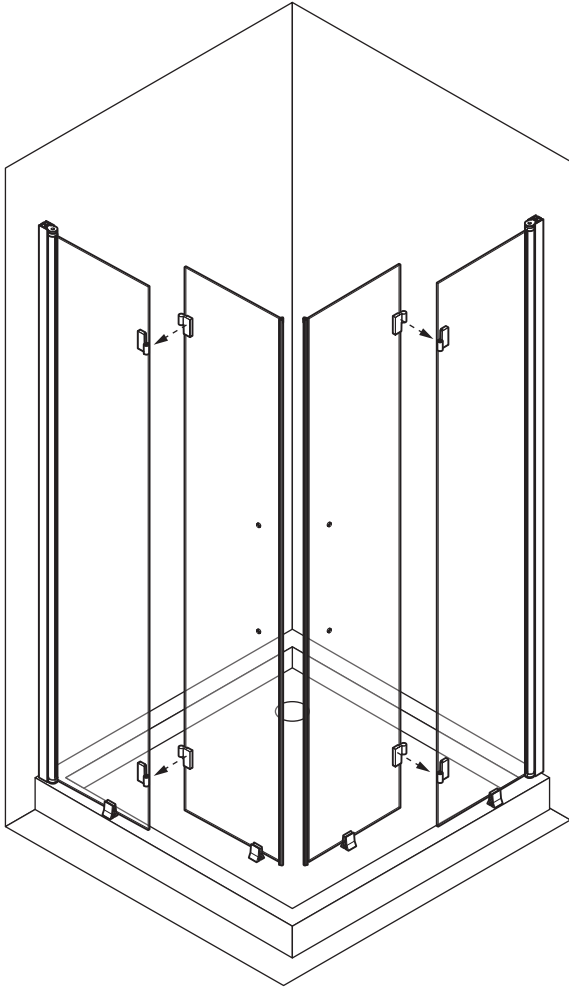


6

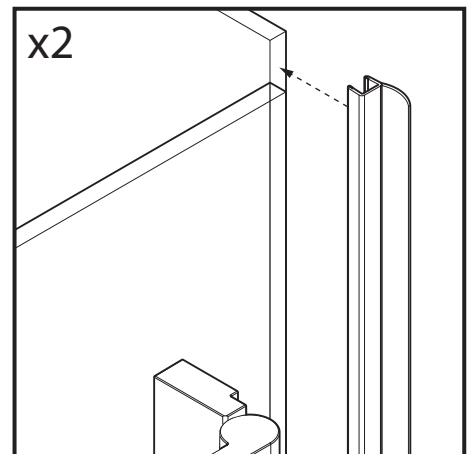
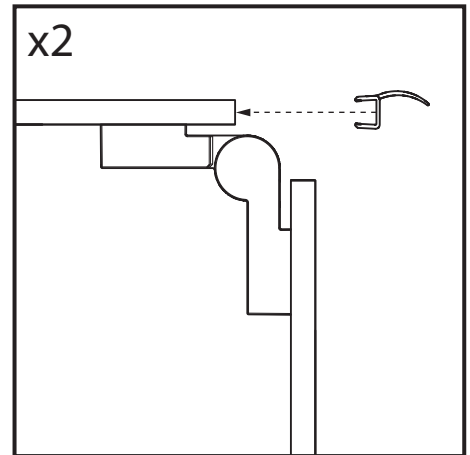
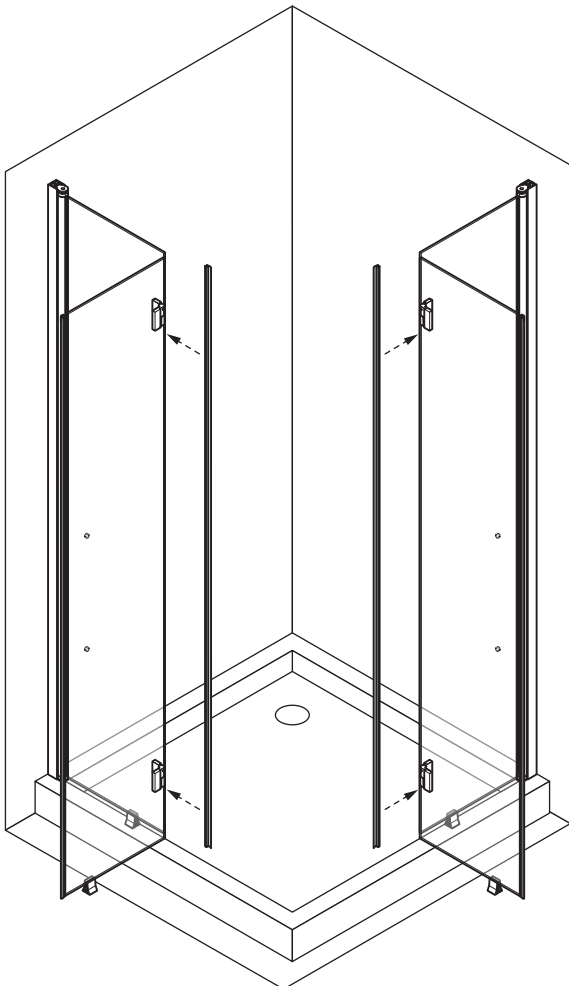


6

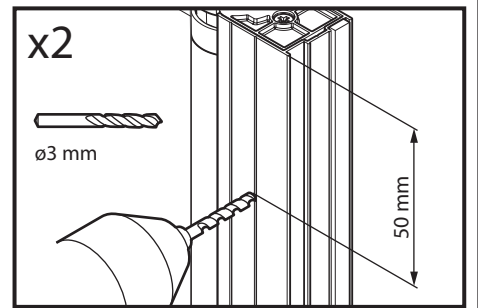
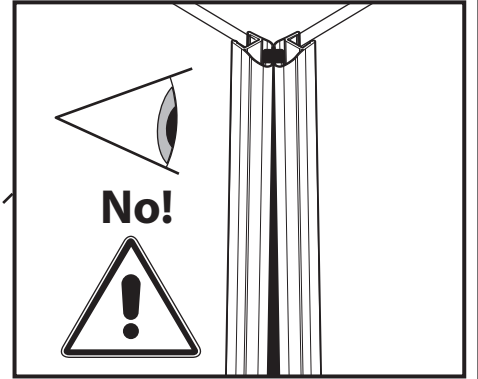
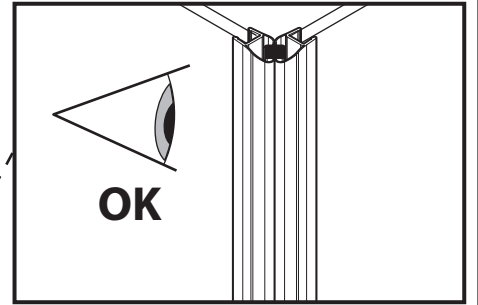
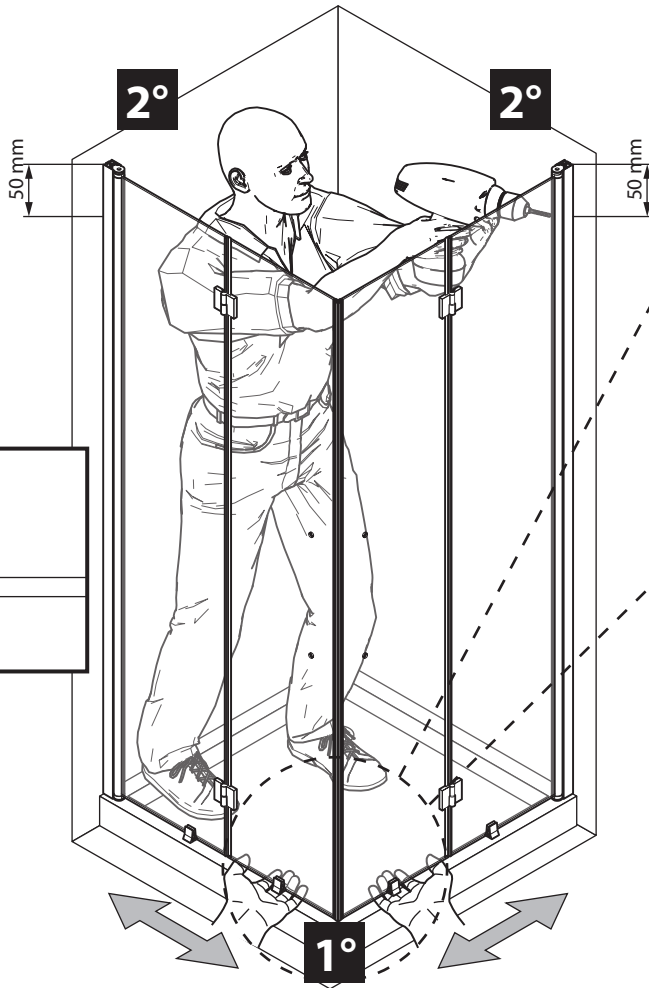
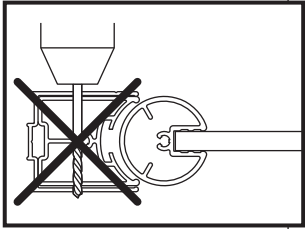
7



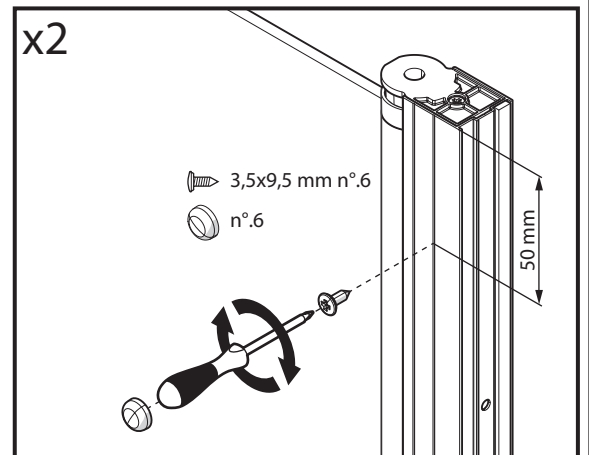
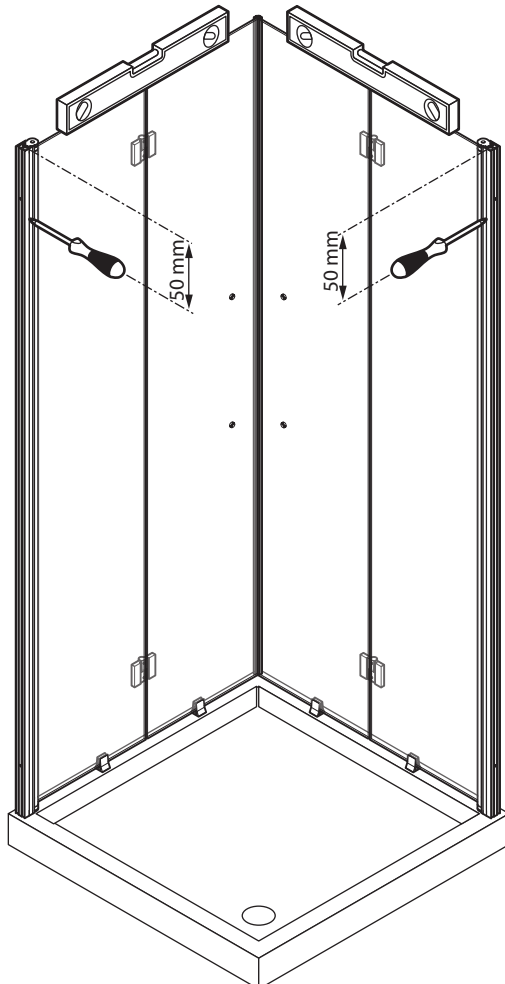
8



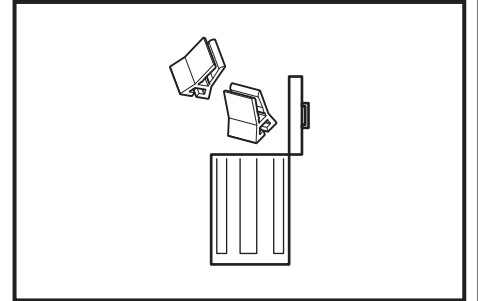
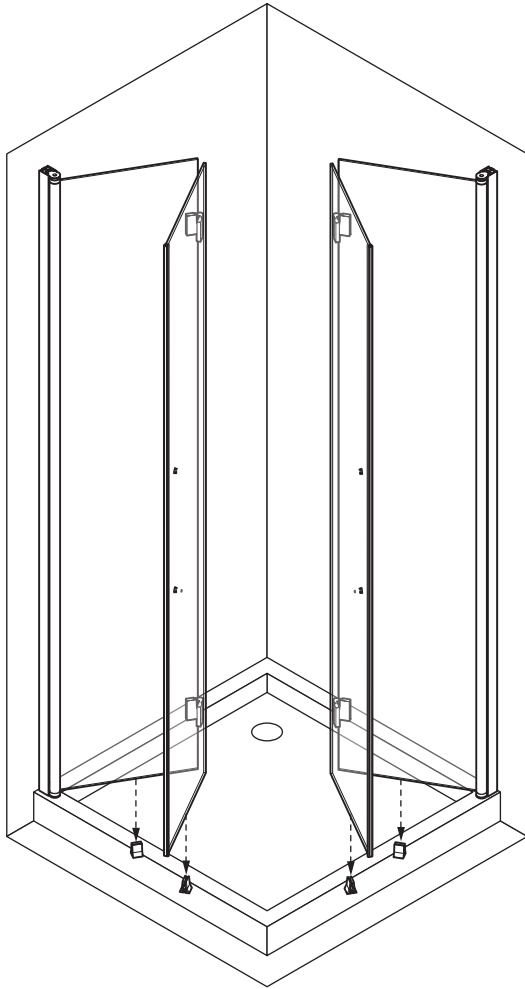
9



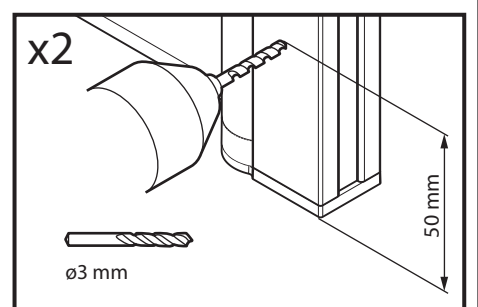
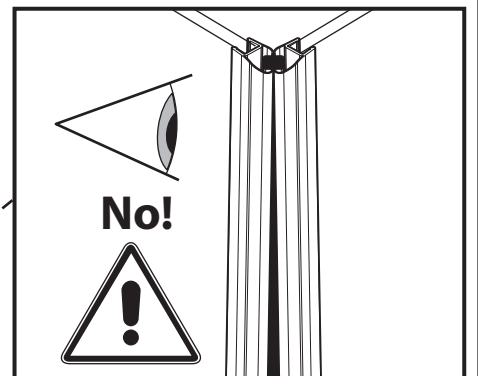
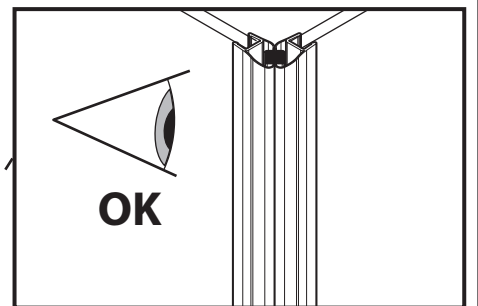
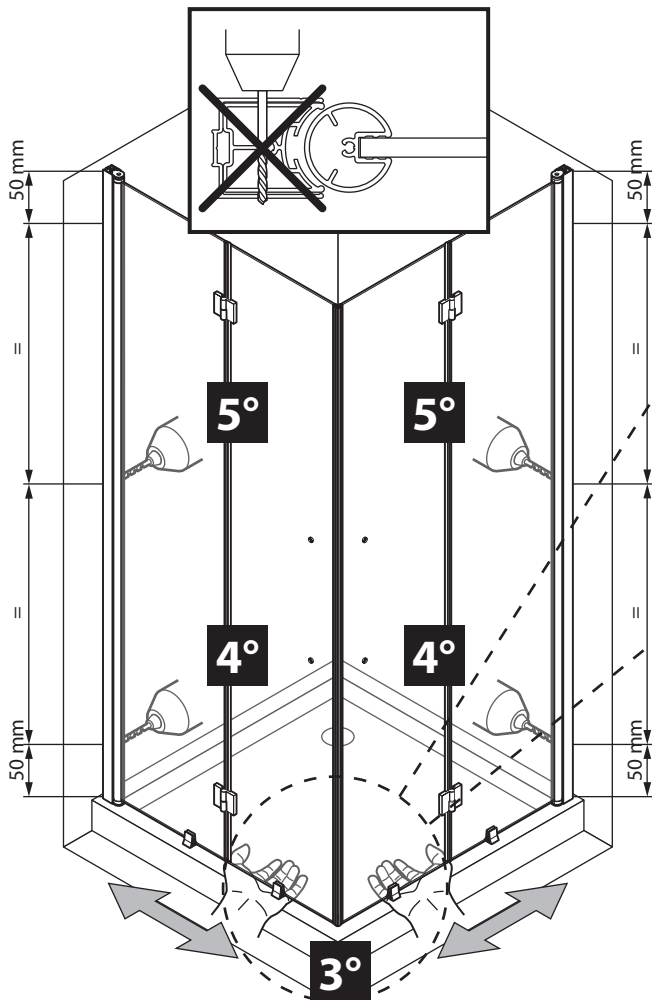
10



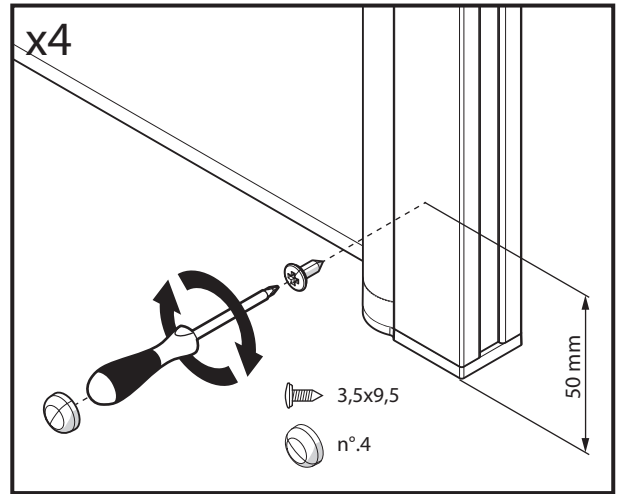
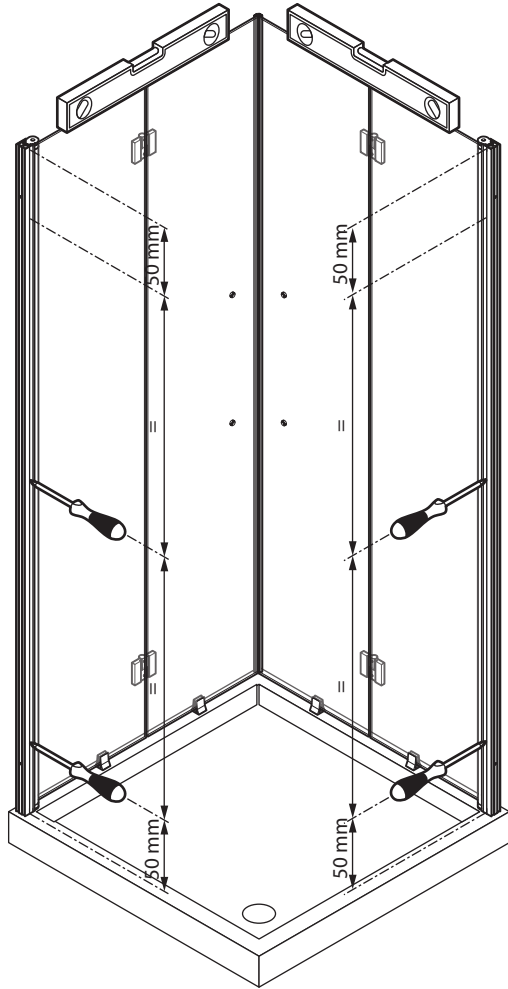
11



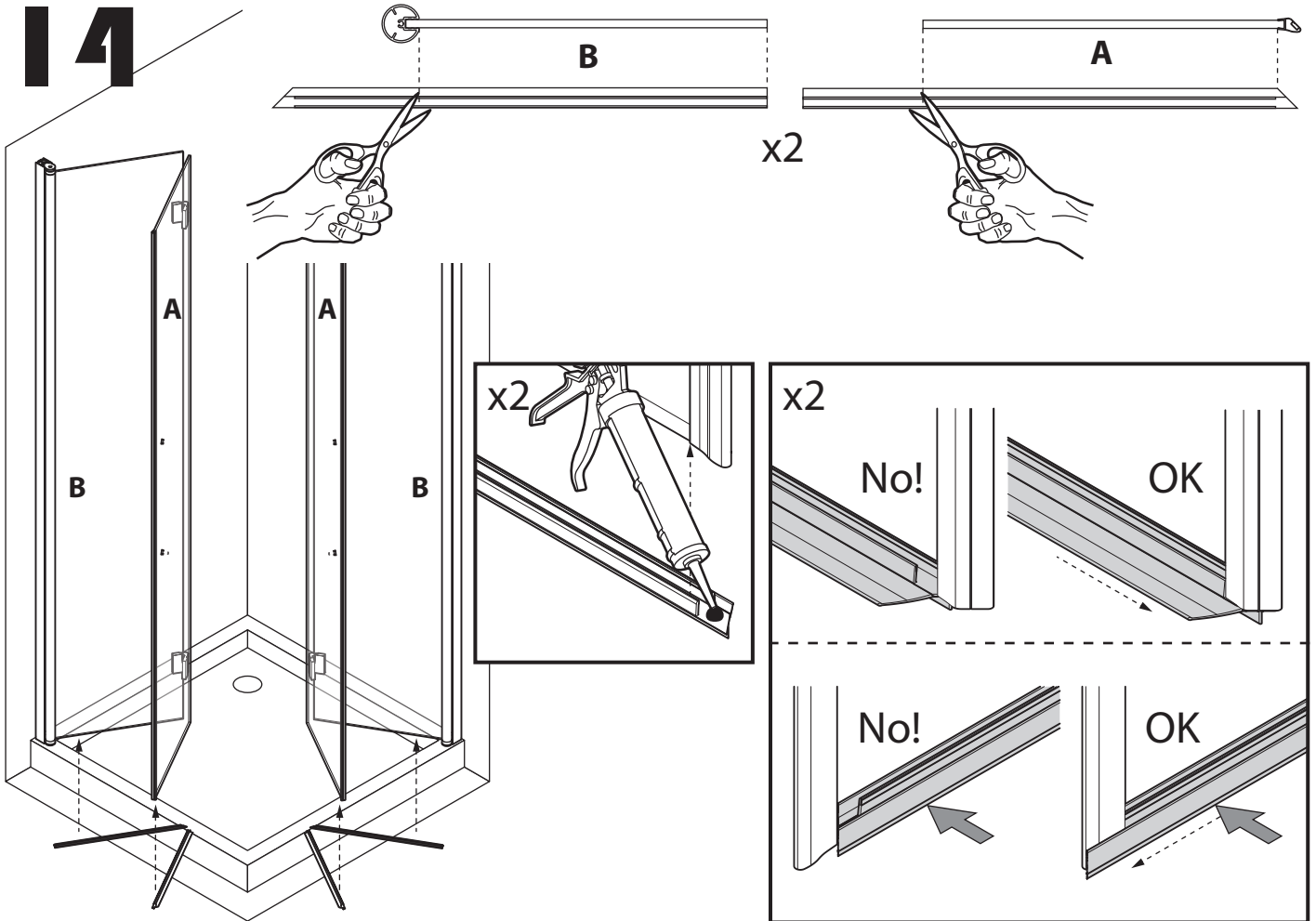
12



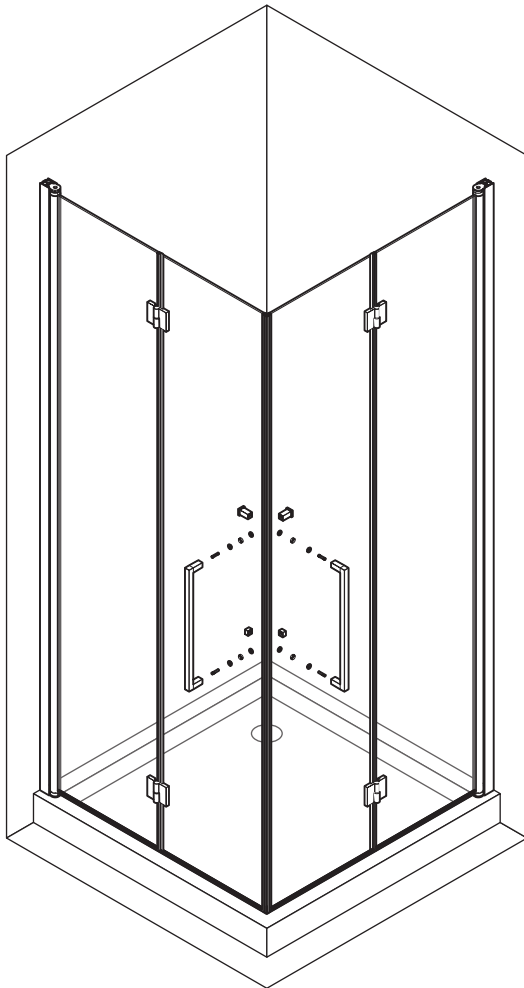
13



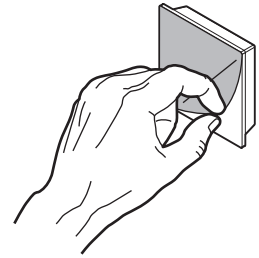
14



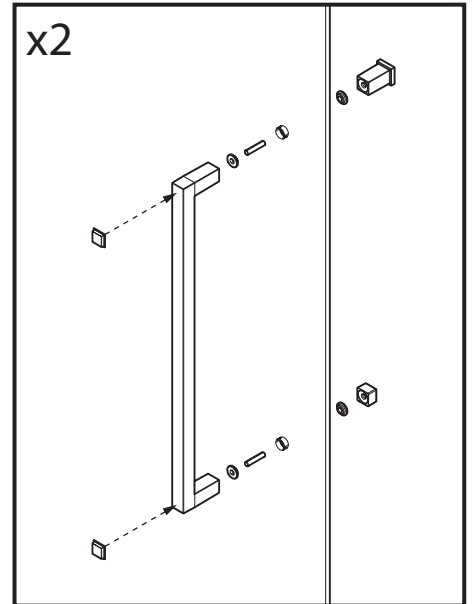
15



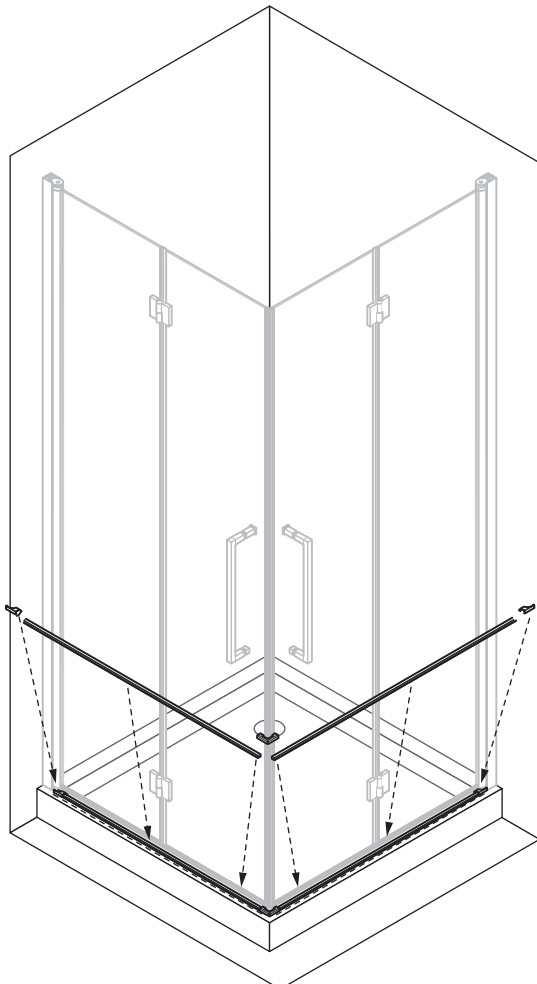
x4



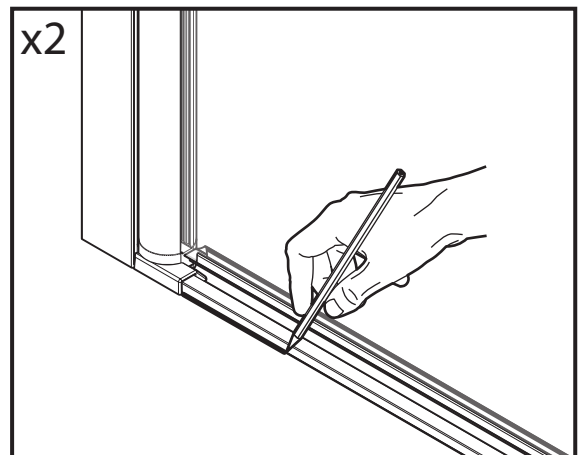
x2



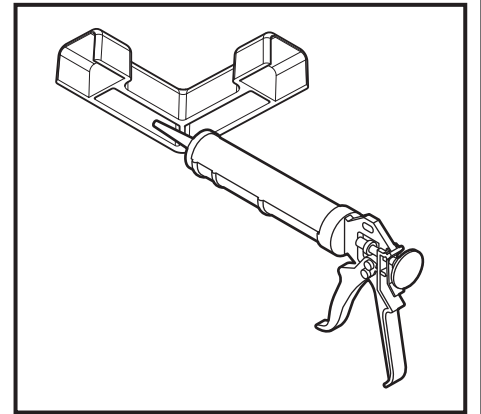
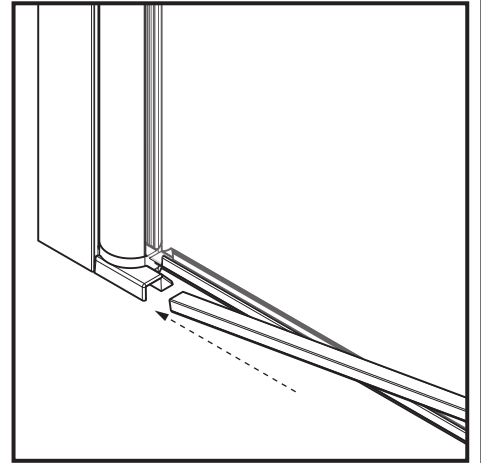
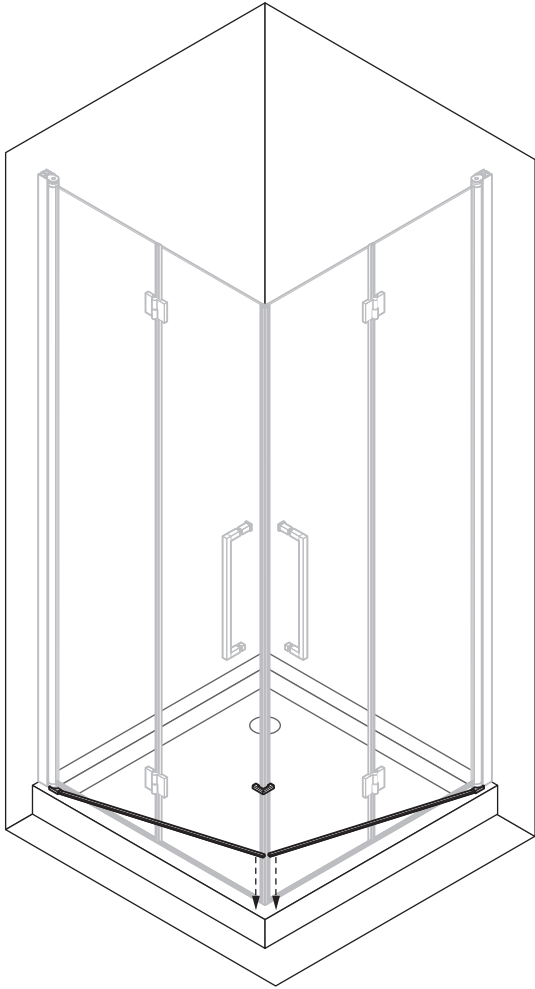
16



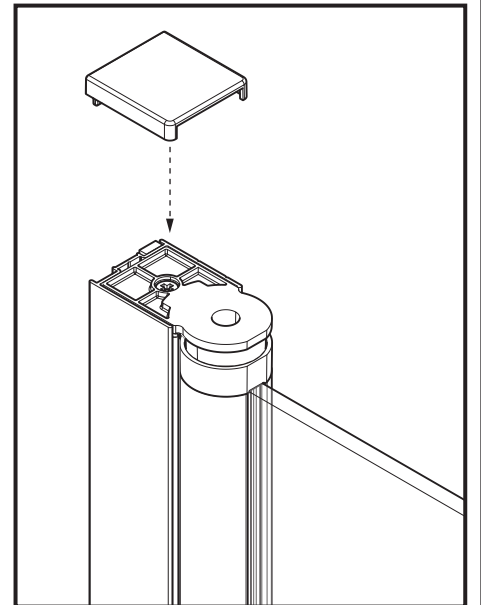
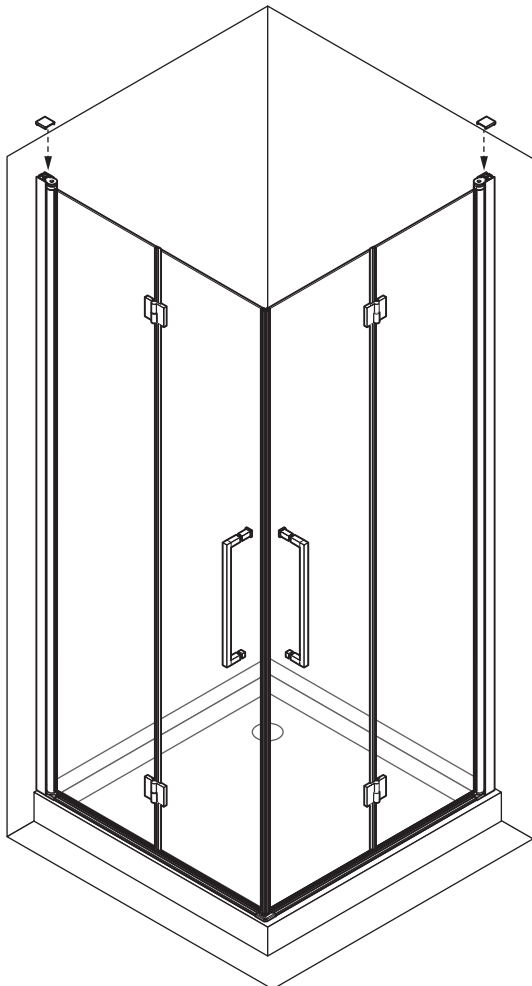
x2



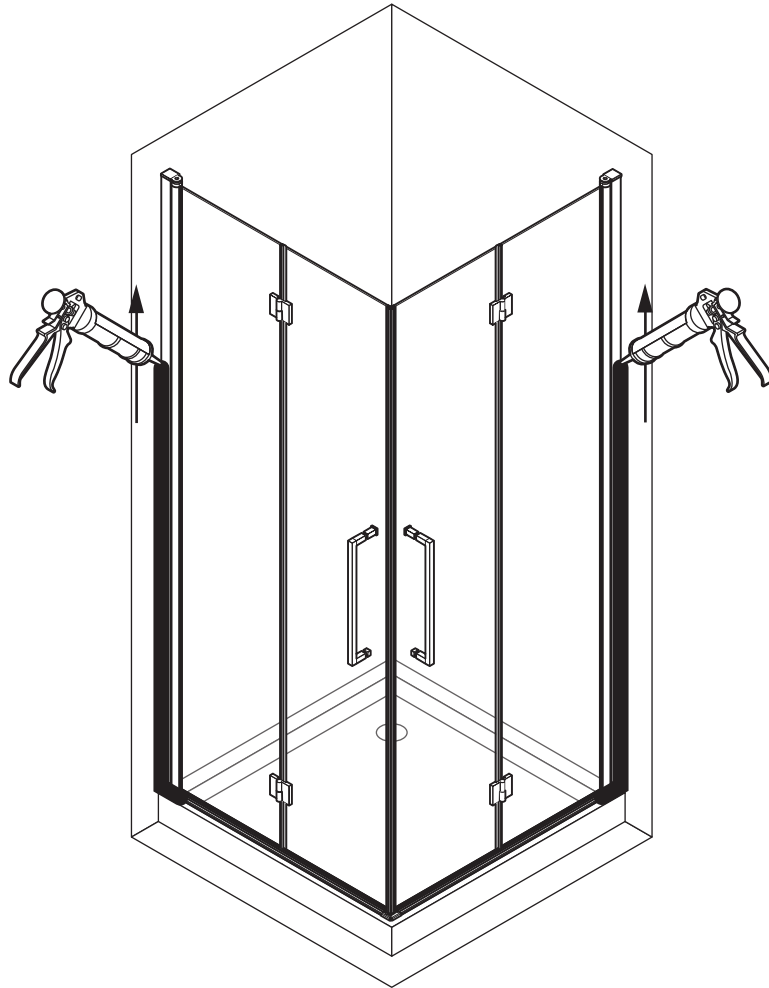
17

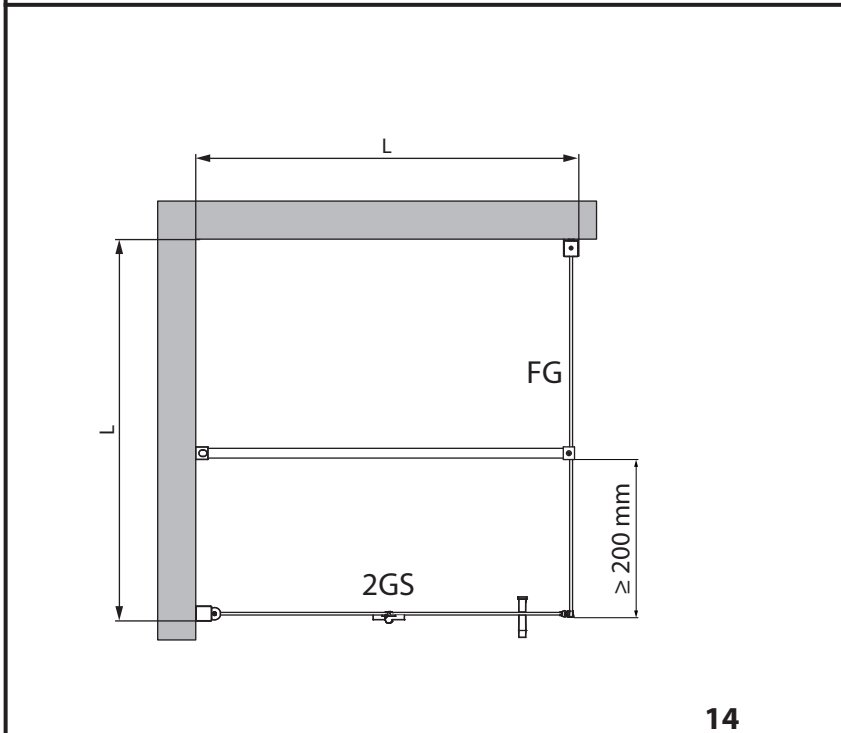
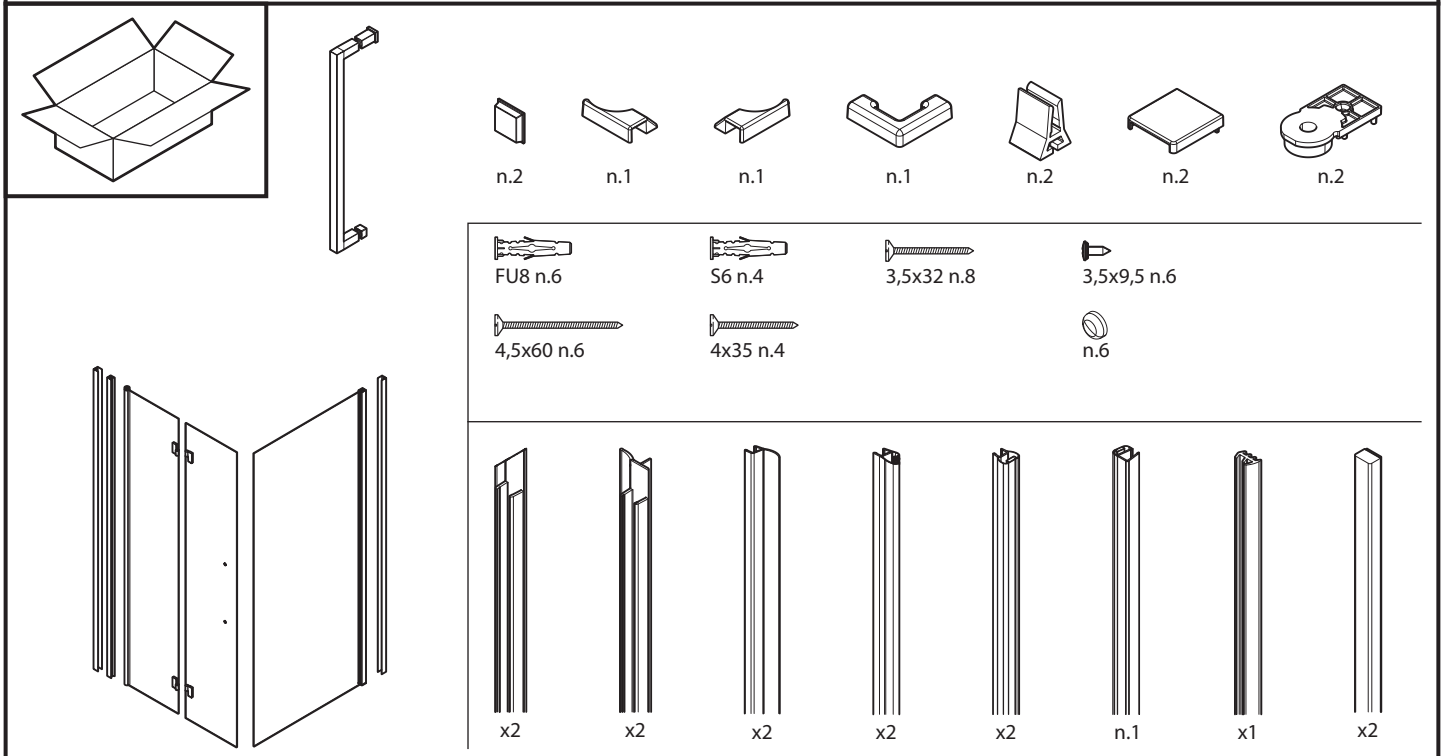
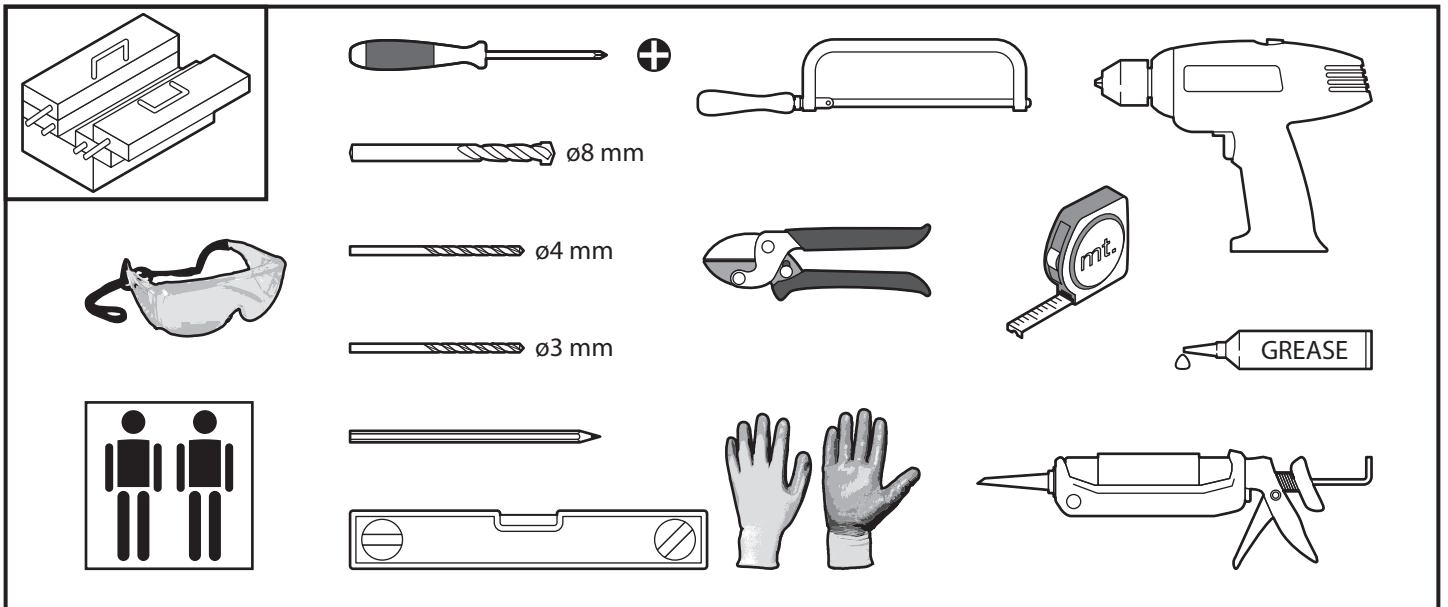


18



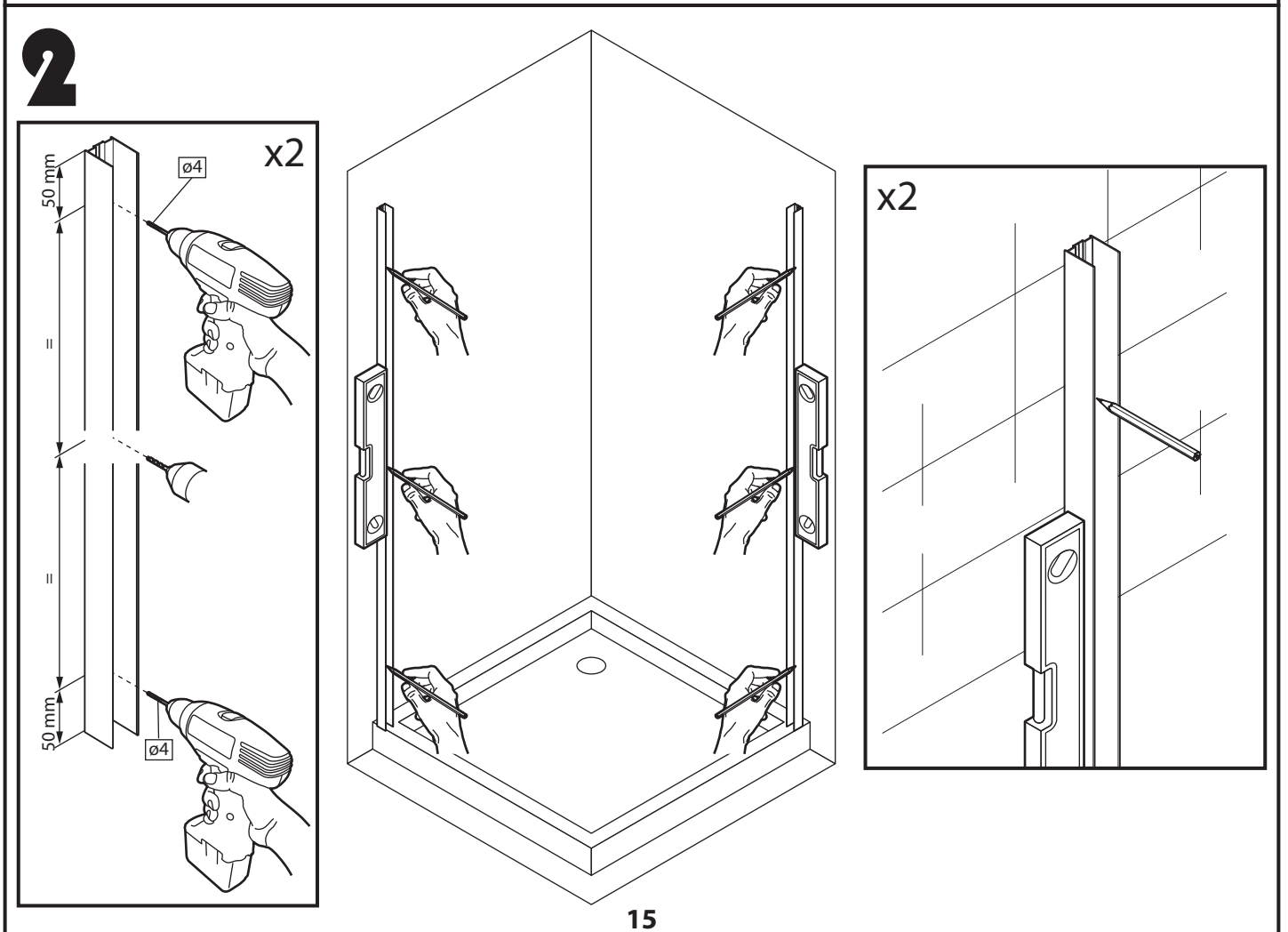
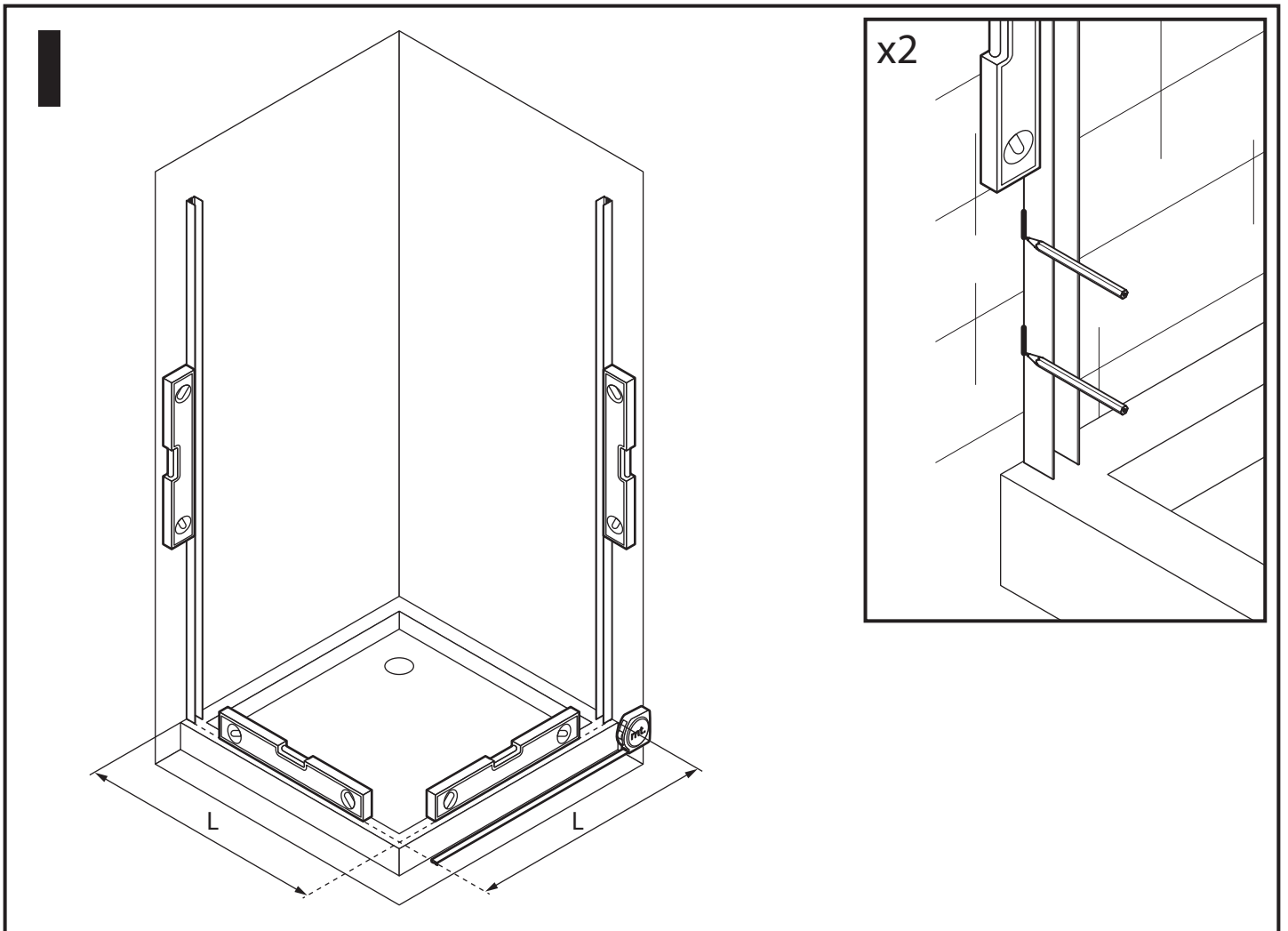
19



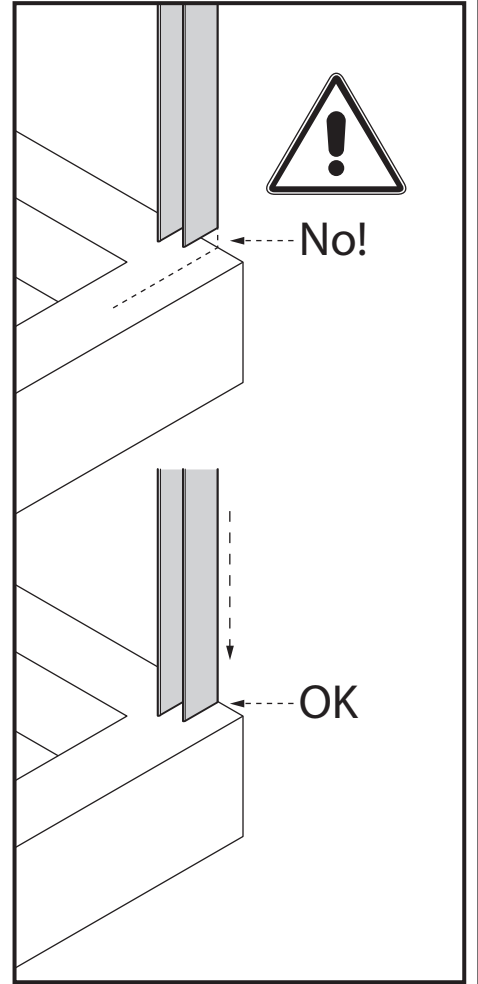
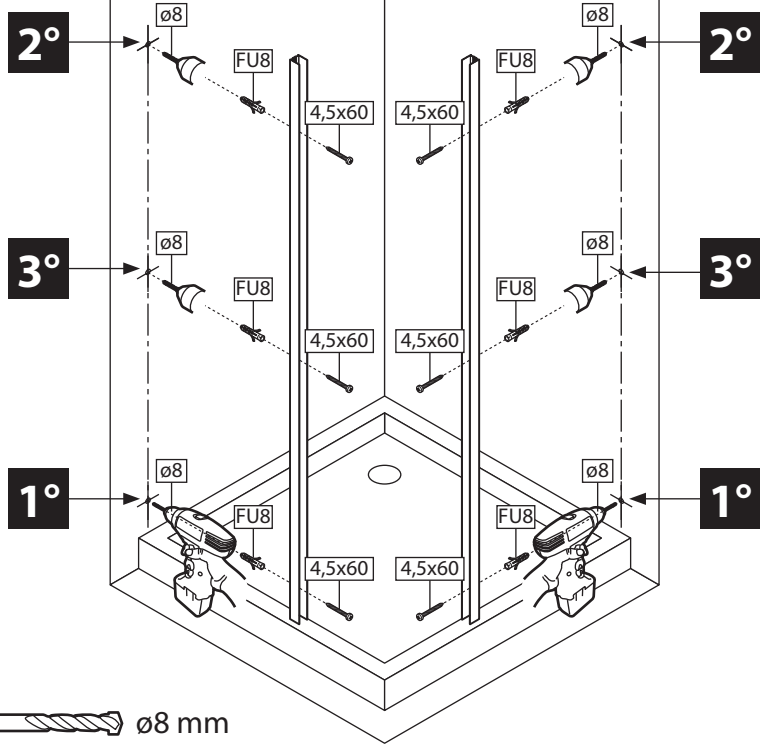


FG57	L=57-59 cm
FG59	L=59-61 cm
FG61	L=61-63 cm
FG65	L=65-67 cm
FG67	L=67-69 cm
FG69	L=69-71 cm
FG73	L=73-75 cm
FG75	L=75-77 cm
FG77	L=77-79 cm
FG79	L=79-81 cm
FG85	L=85-87 cm
FG87	L=87-89 cm
FG89	L=89-91 cm
FG95	L=95-97 cm
FG97	L=97-99 cm
FG99	L=99-101 cm
FG117	L=117-119 cm
FG119	L=119-121 cm

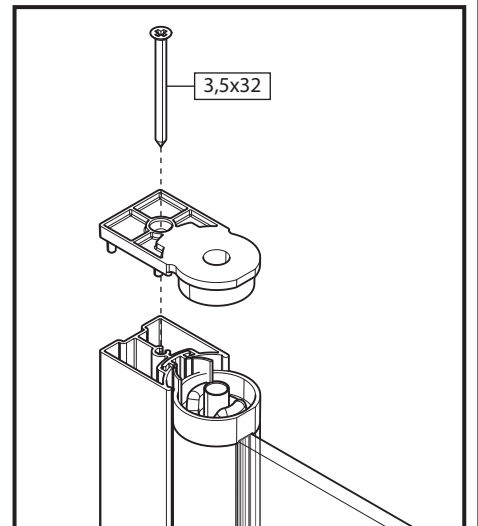
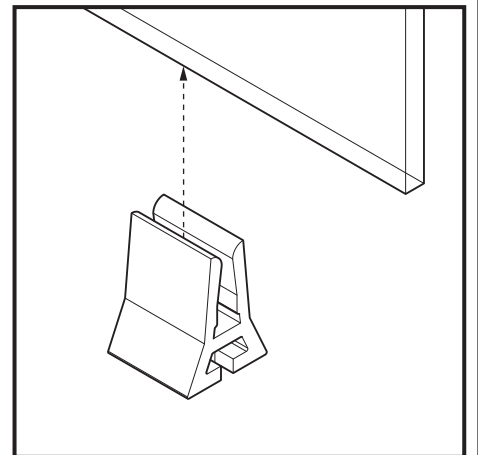
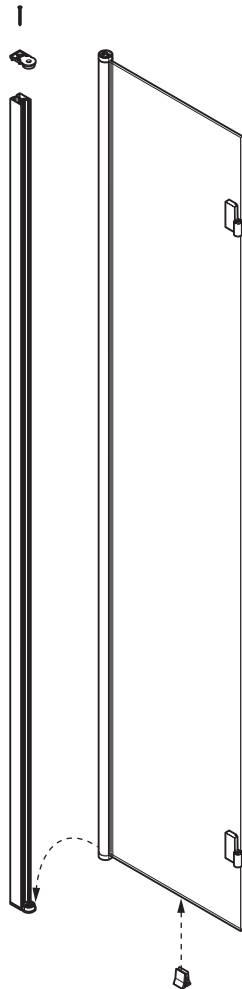
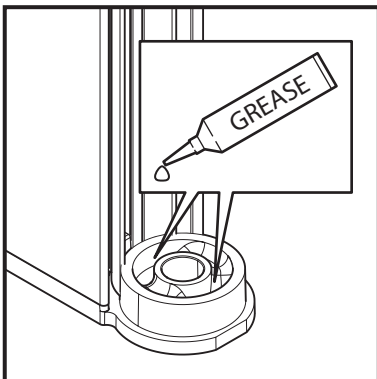
2GS57	L=58-60 cm
2GS59	L=60-62 cm
2GS65	L=66-68 cm
2GS67	L=68-70 cm
2GS69	L=70-72 cm
2GS73	L=74-76 cm
2GS75	L=76-78 cm
2GS77	L=78-80 cm
2GS79	L=80-82 cm
2GS85	L=86-88 cm
2GS87	L=88-90 cm
2GS89	L=90-92 cm
2GS95	L=96-98 cm
2GS97	L=98-100 cm
2GS99	L=100-102 cm
2GS115	L=116-118 cm
2GS117	L=118-120 cm
2GS119	L=120-122 cm



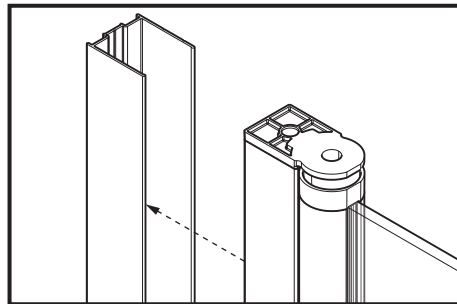
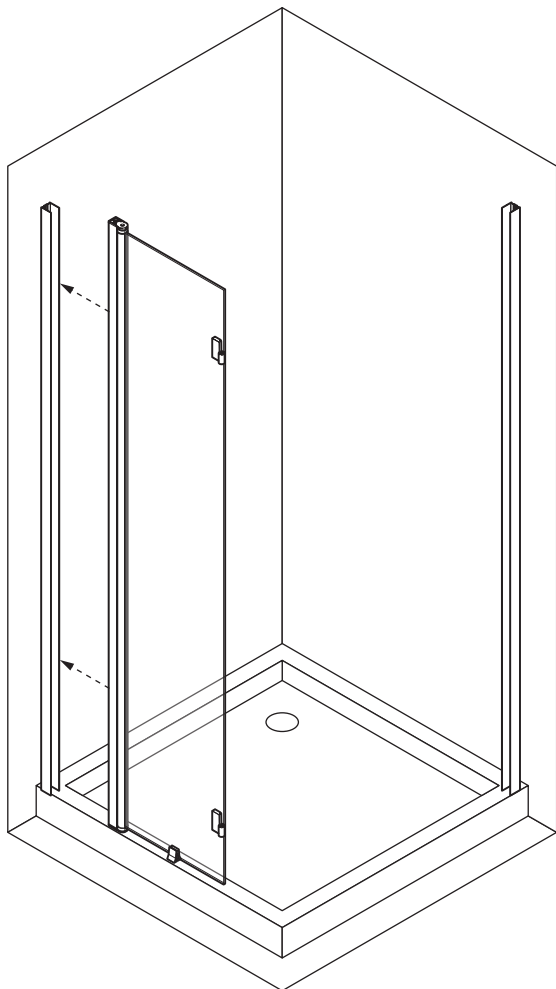
3



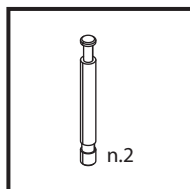
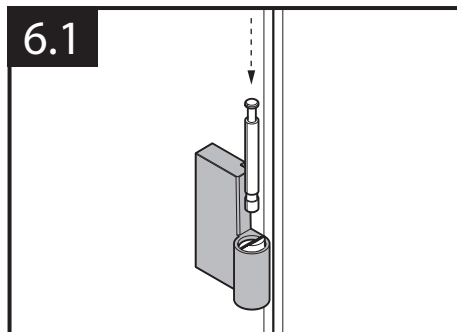
4



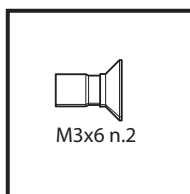
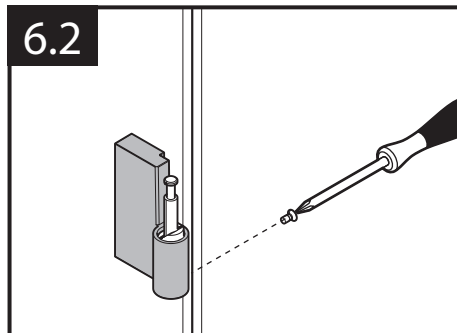
5



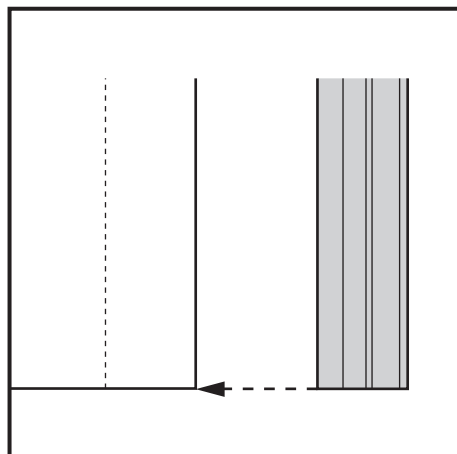
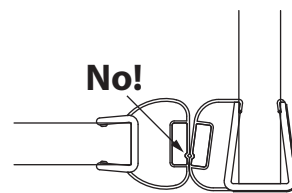
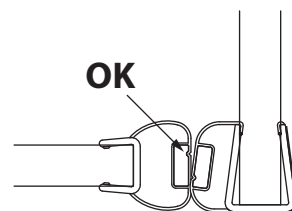
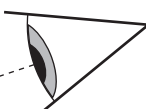
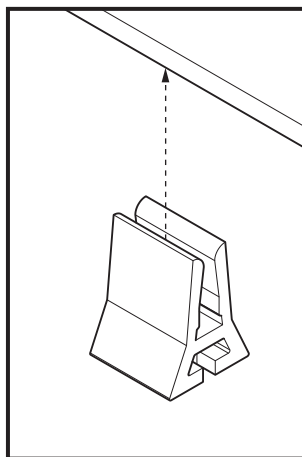
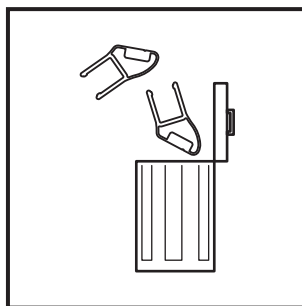
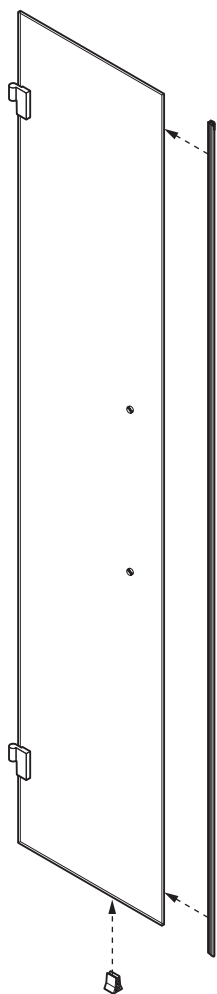
6.1



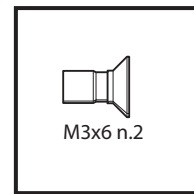
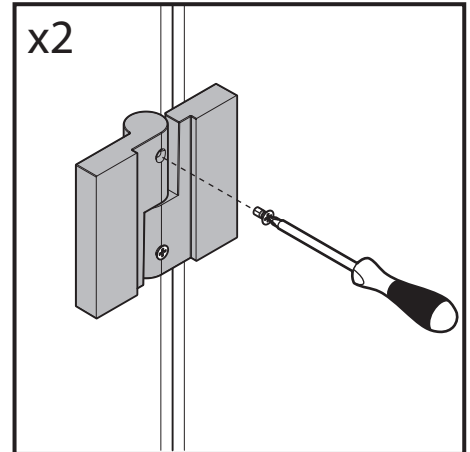
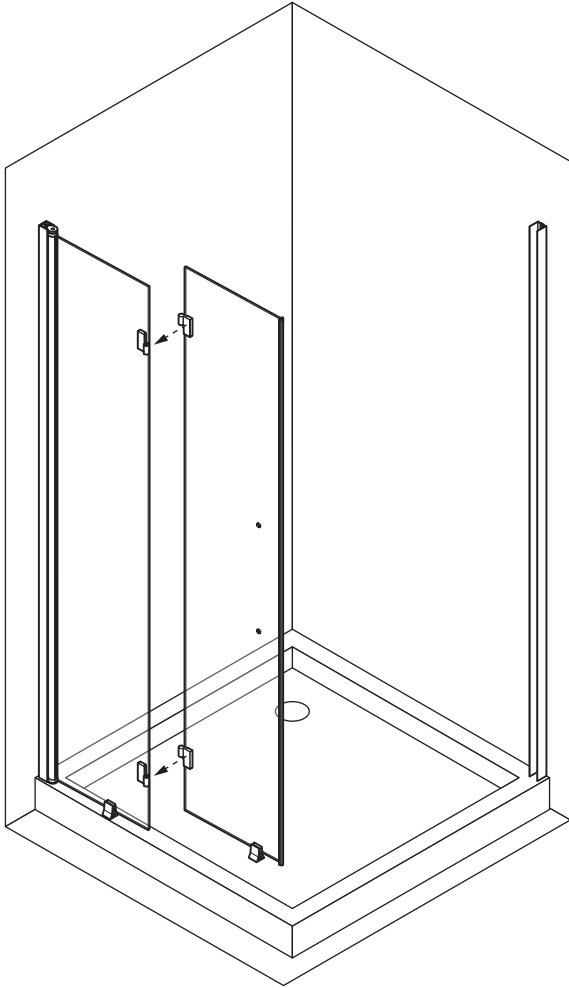
6.2



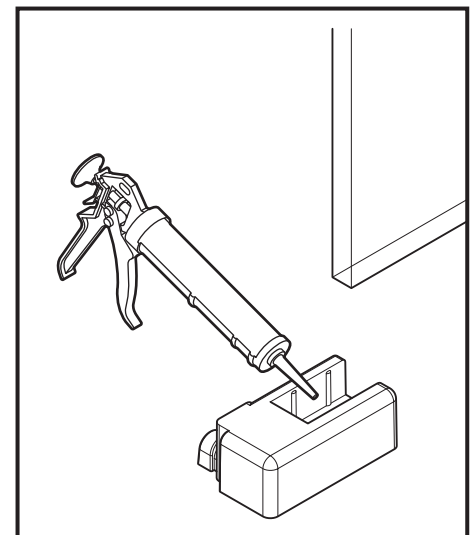
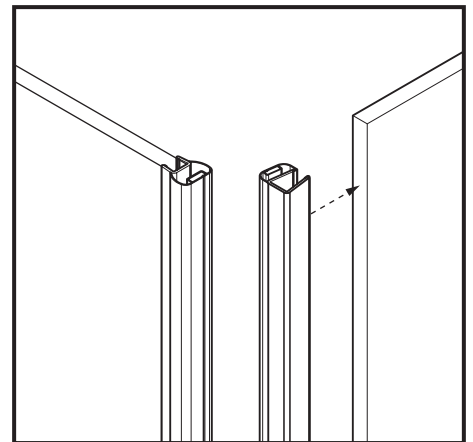
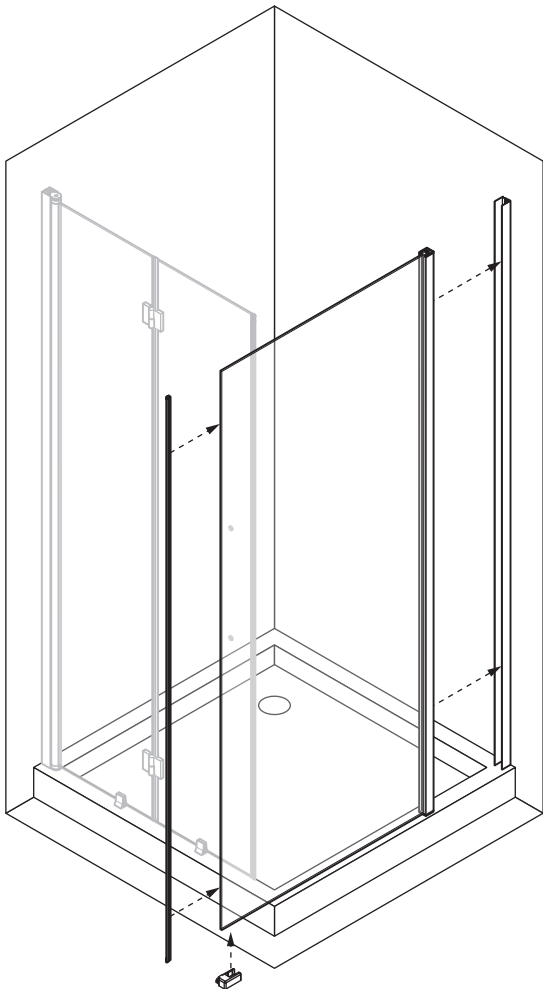
6



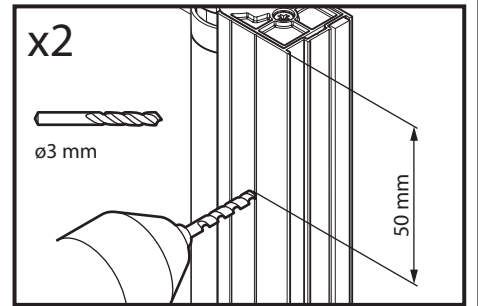
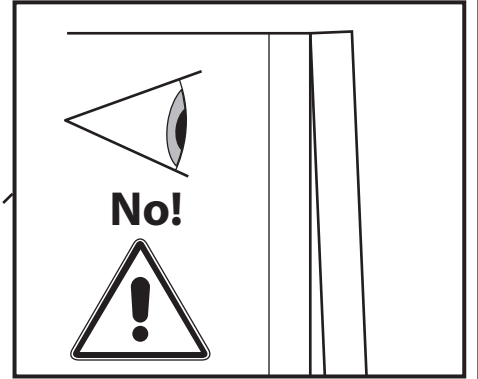
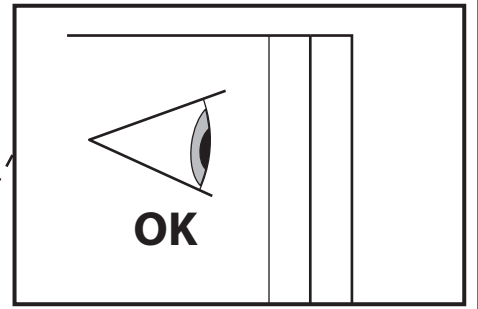
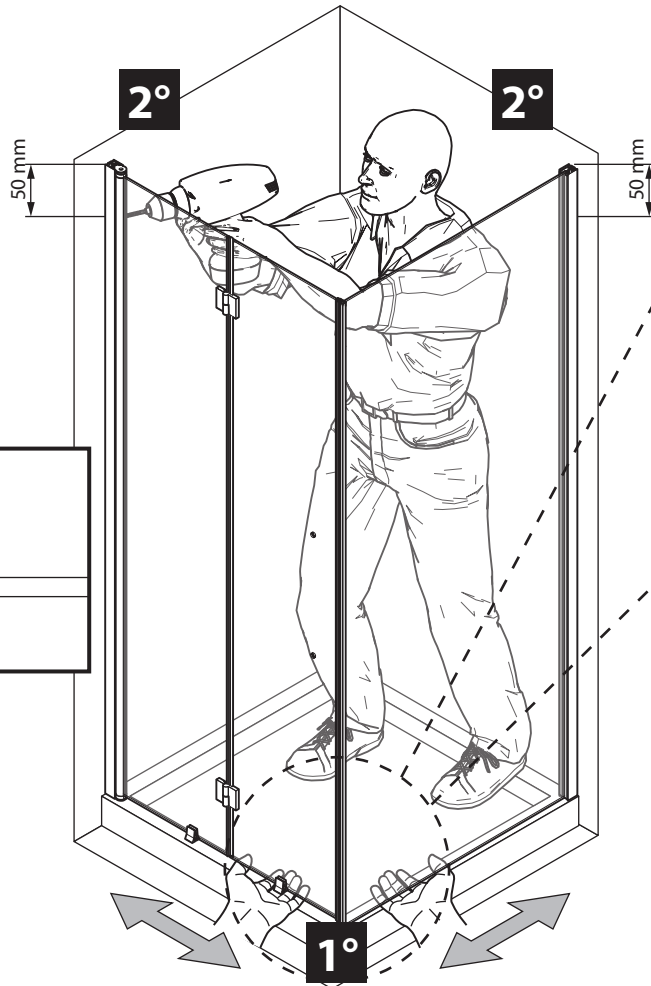
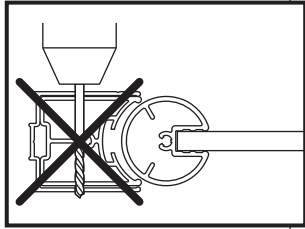
7



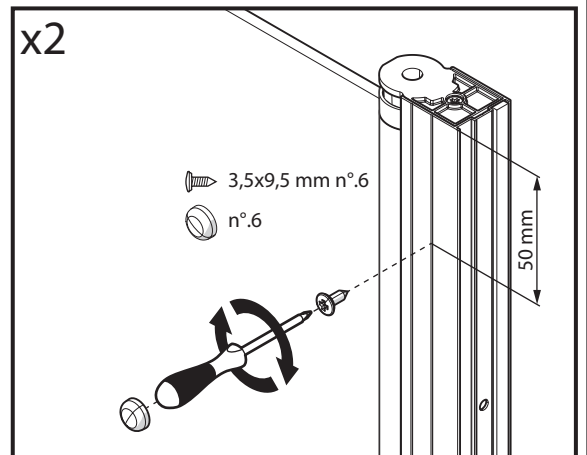
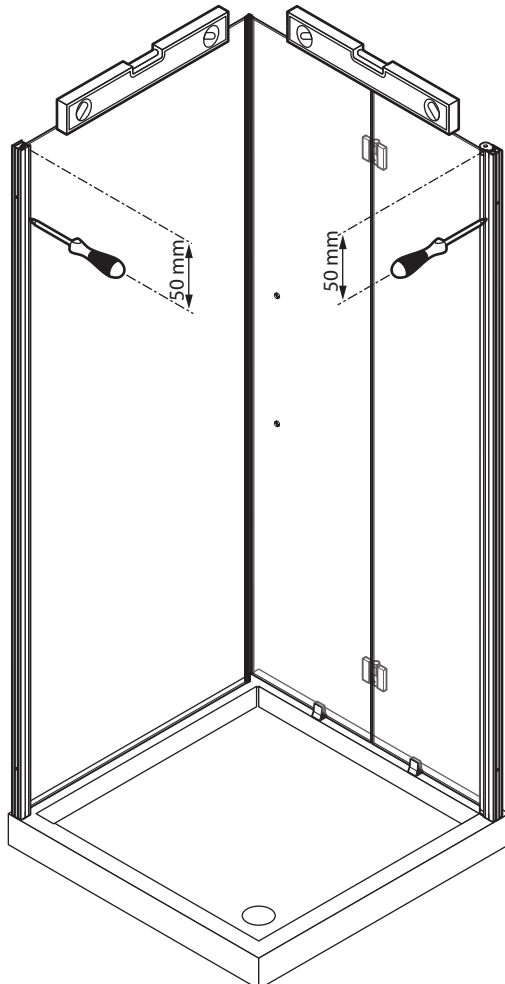
8



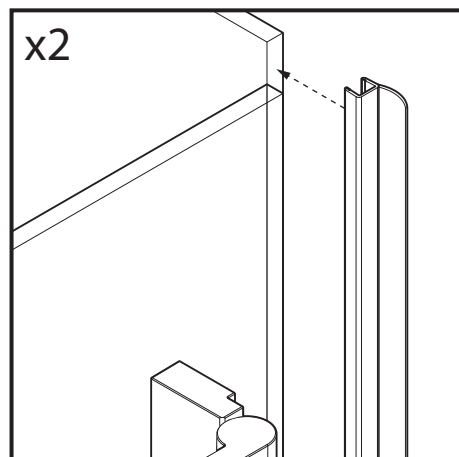
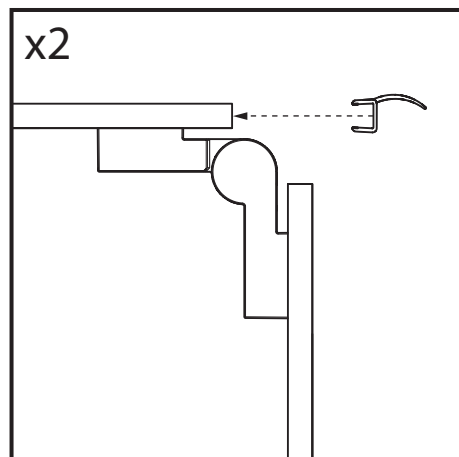
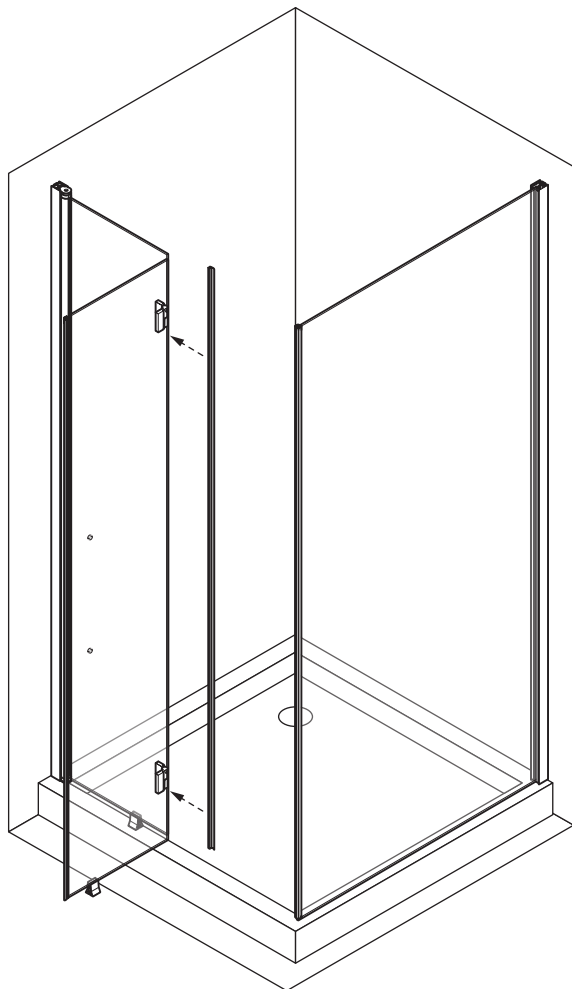
9



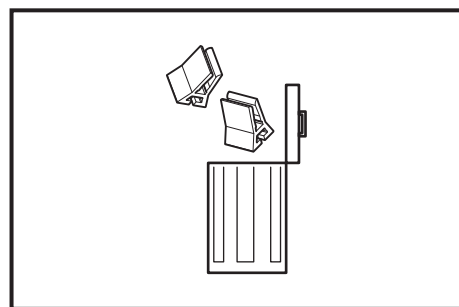
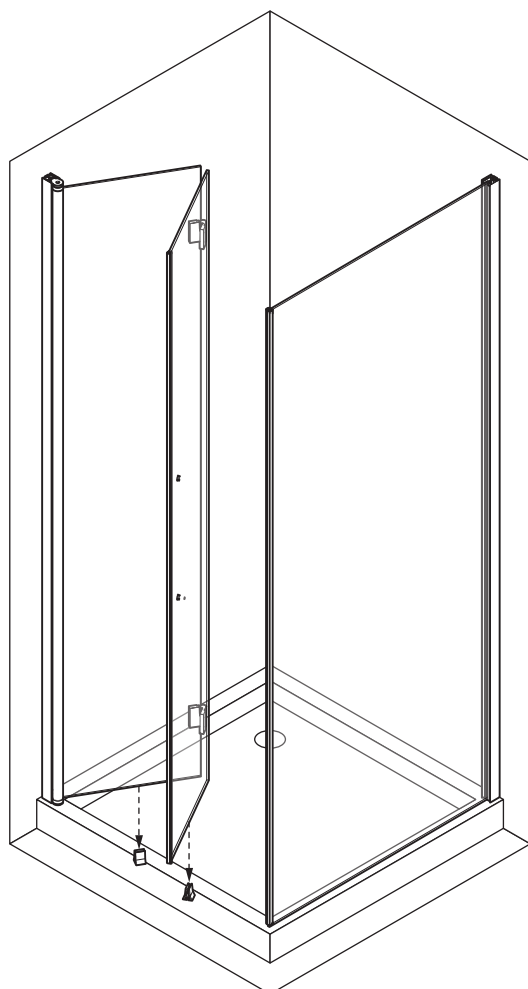
10



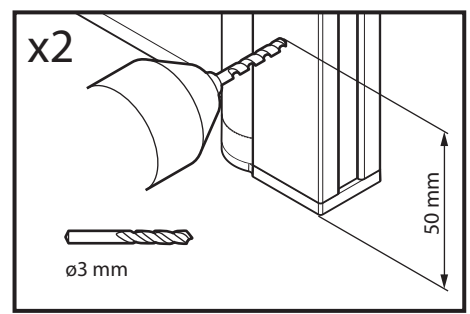
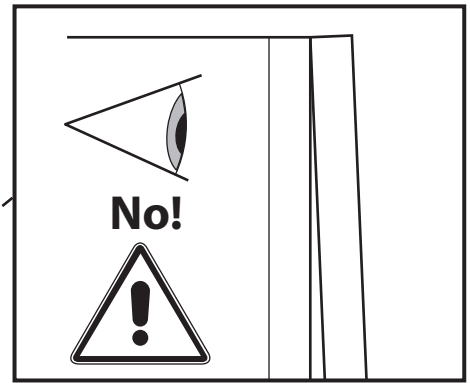
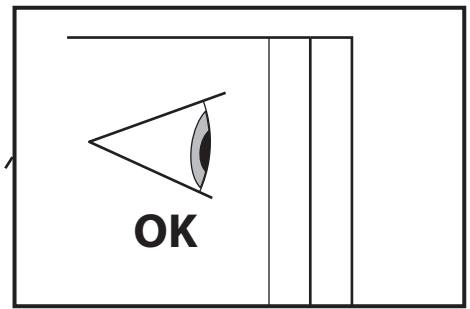
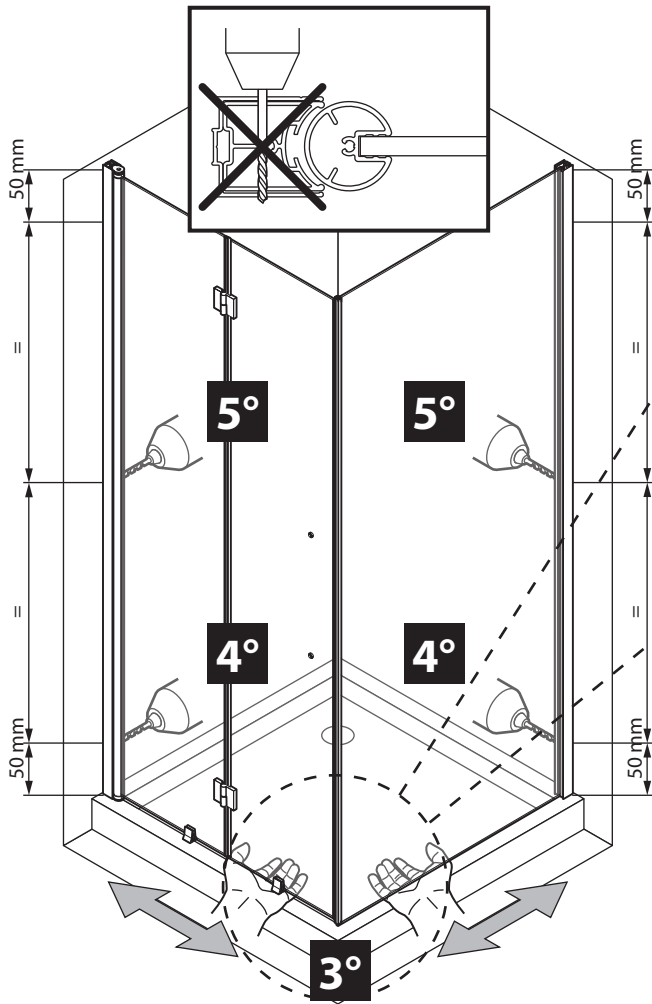
11



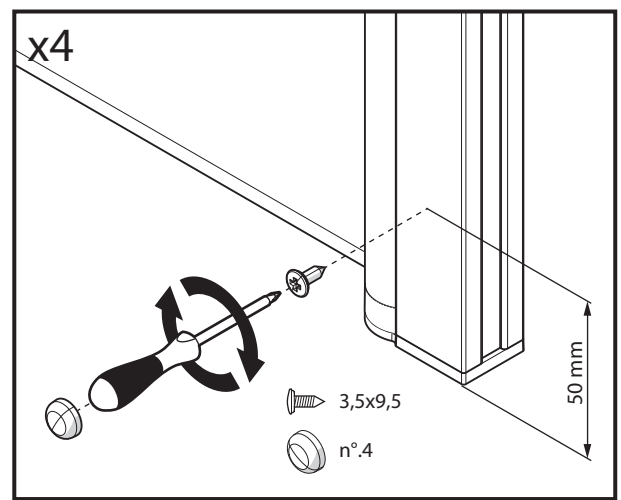
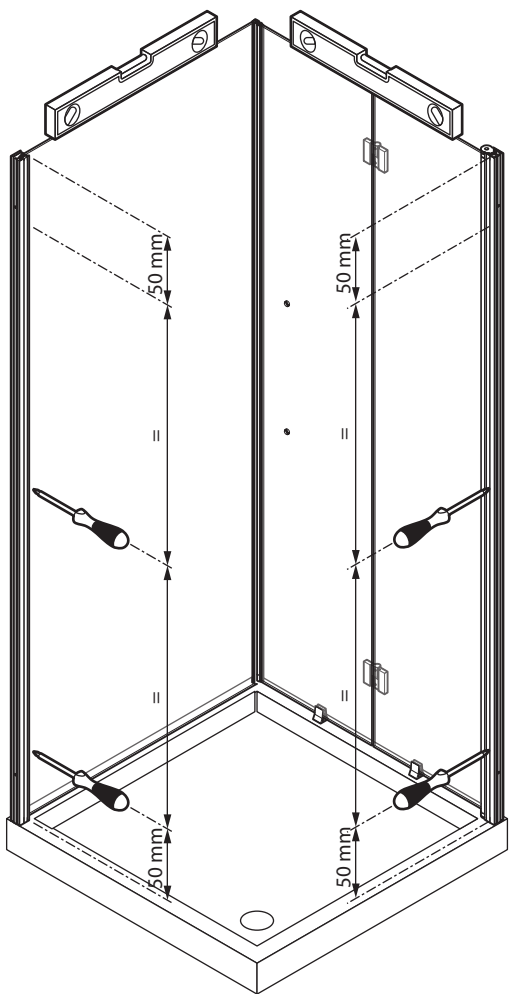
12



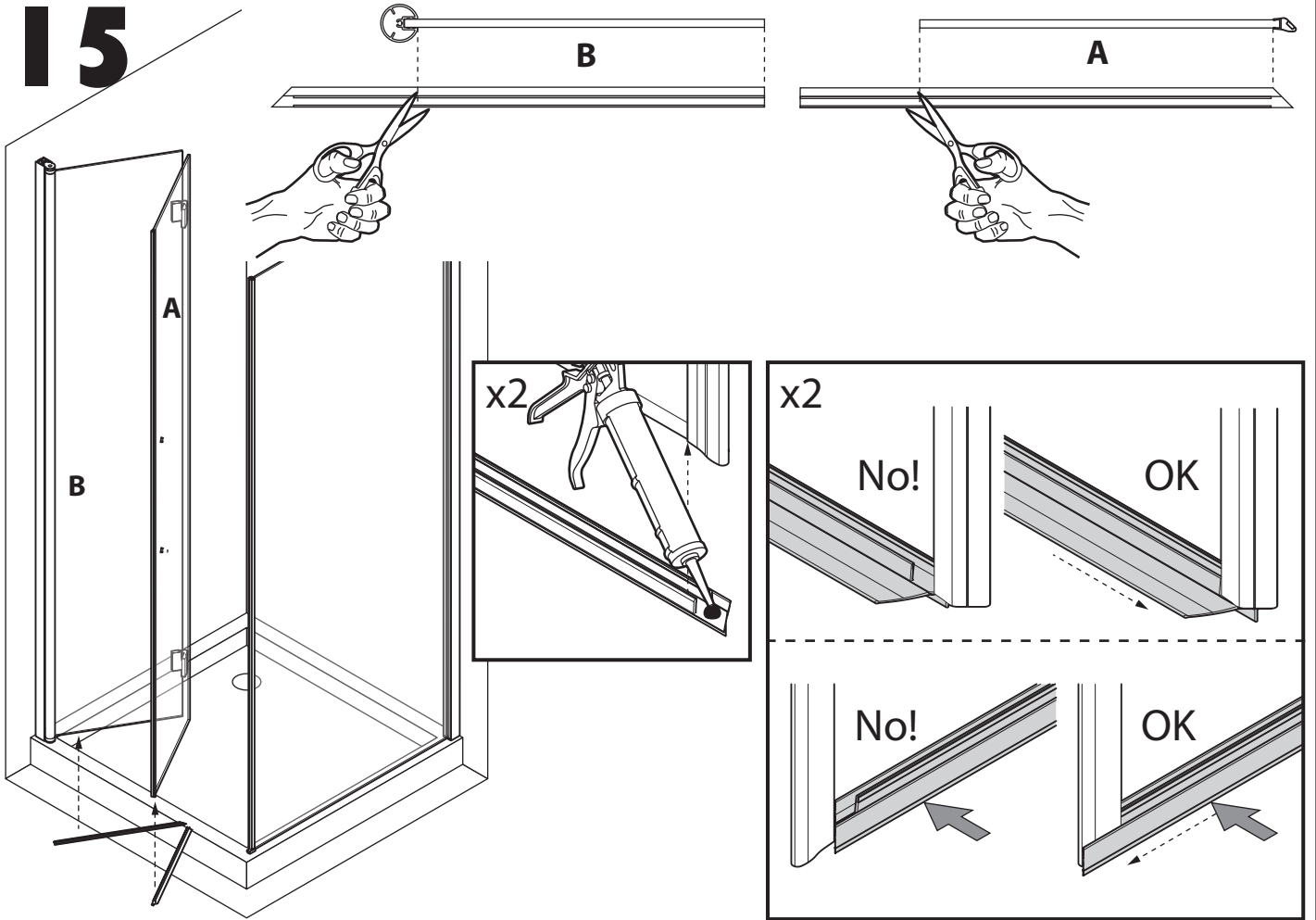
13



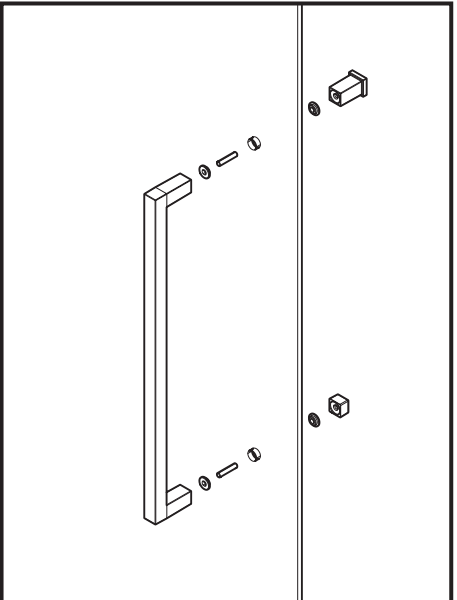
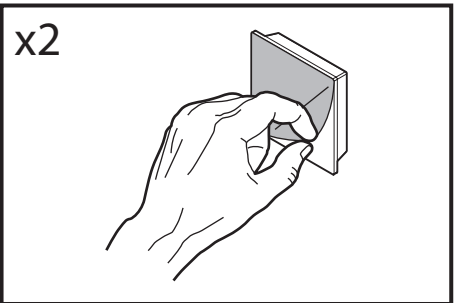
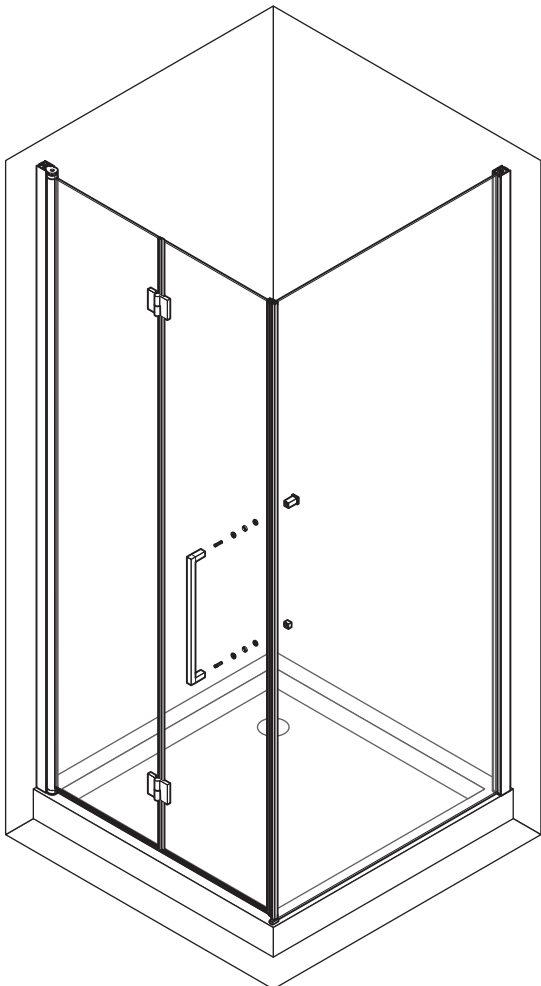
14



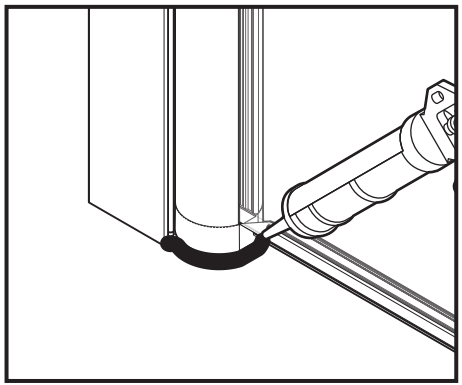
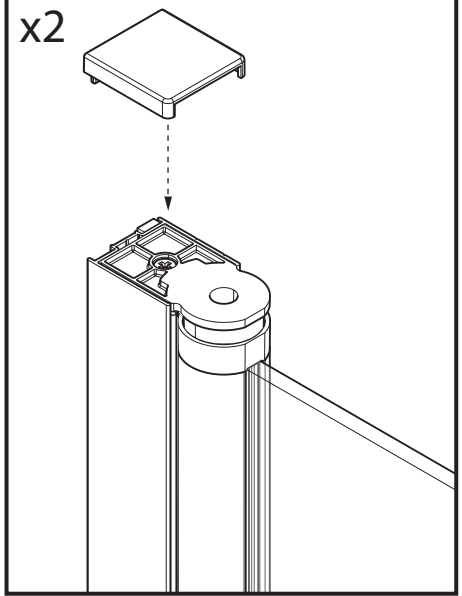
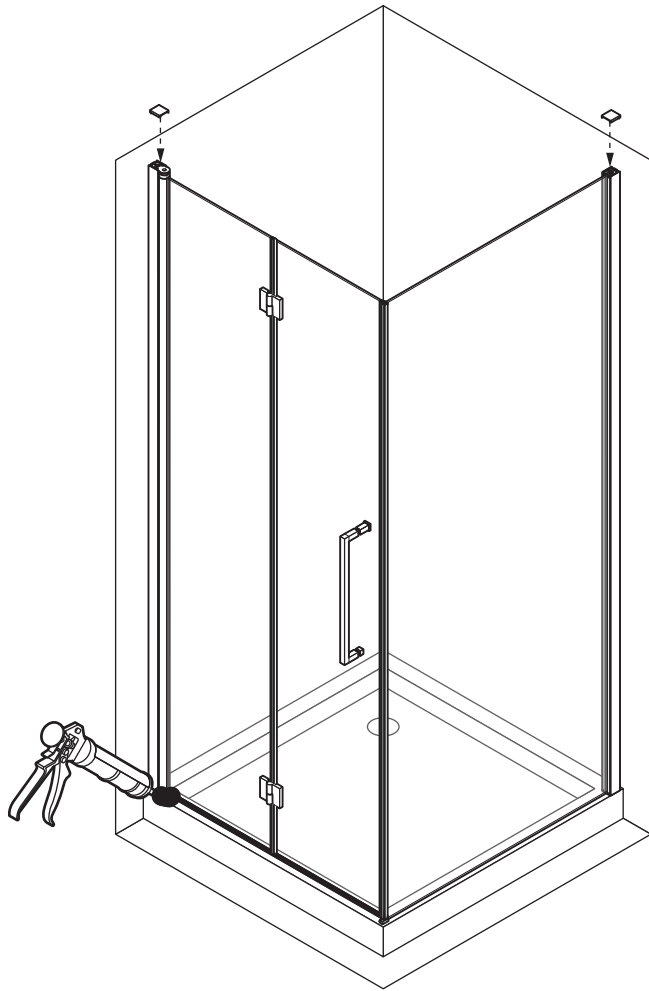
15



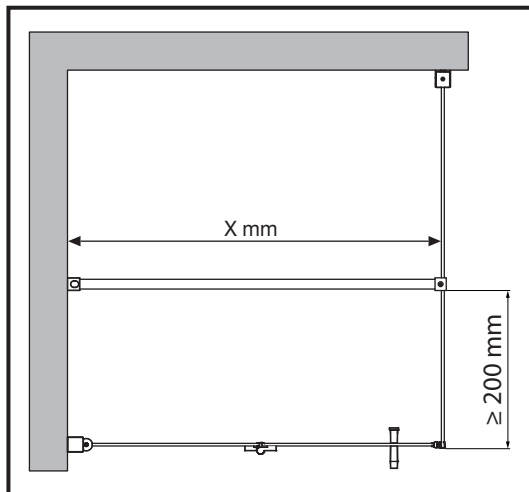
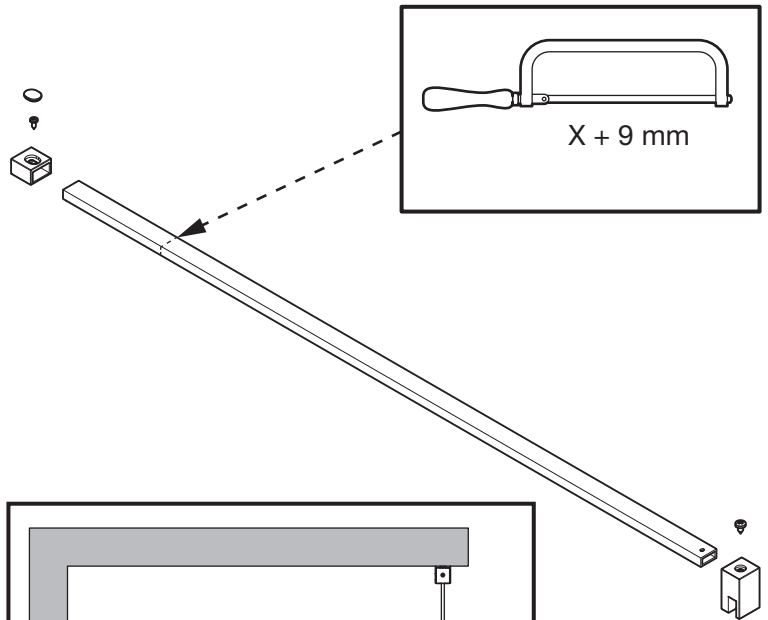
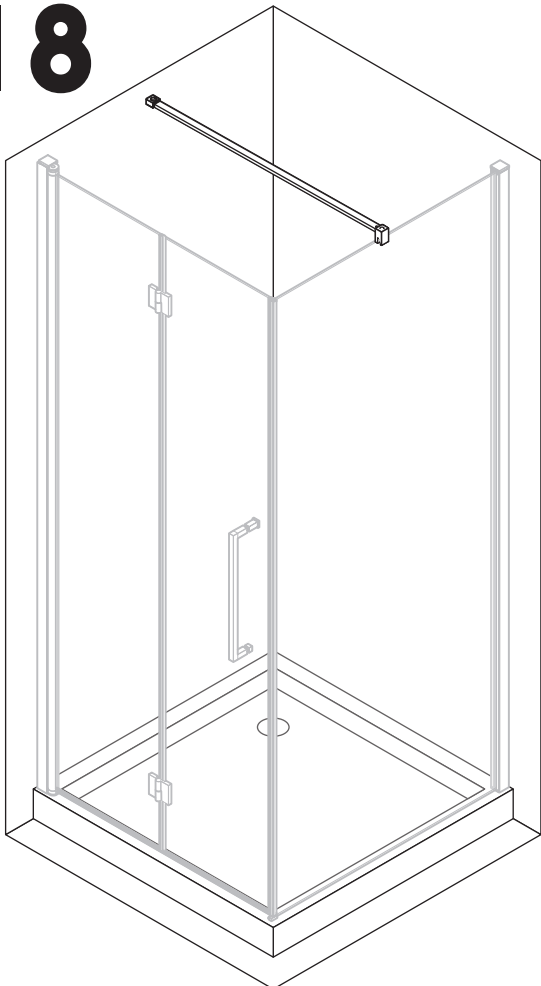
16



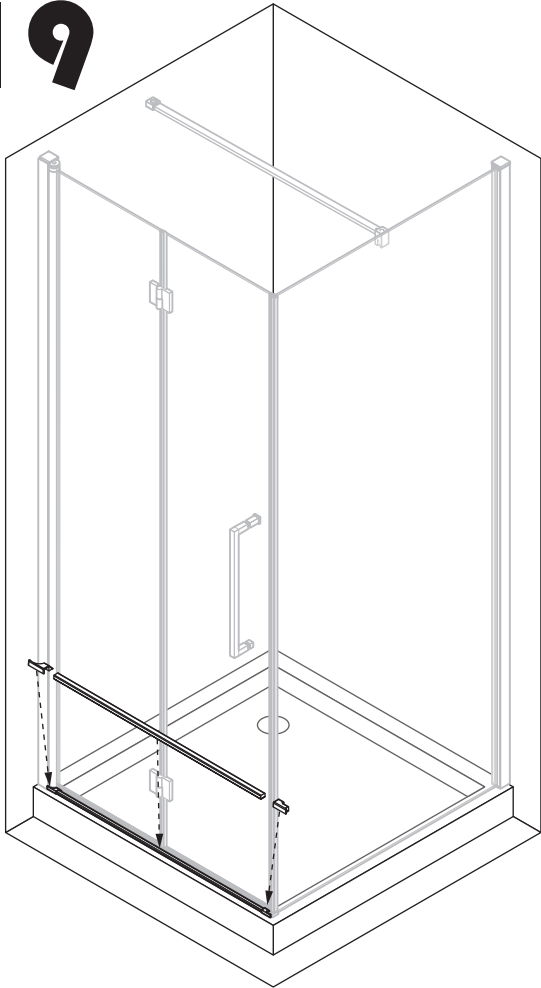
17



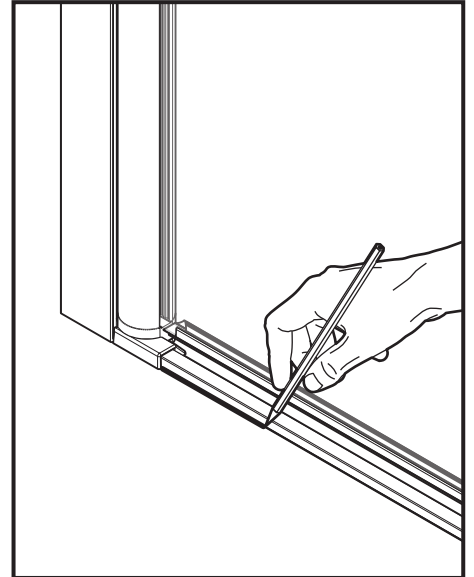
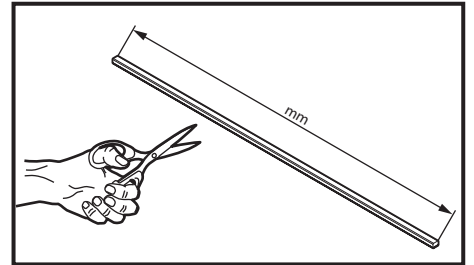
18



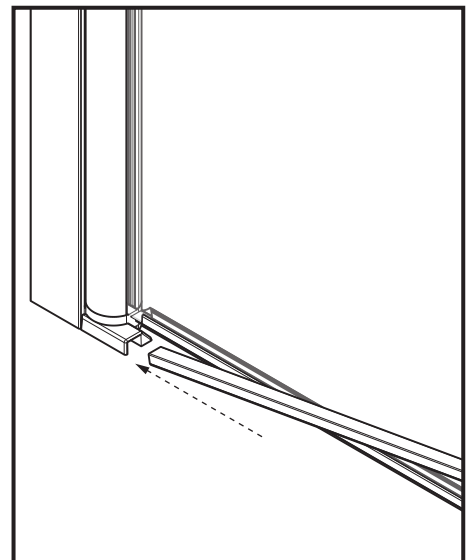
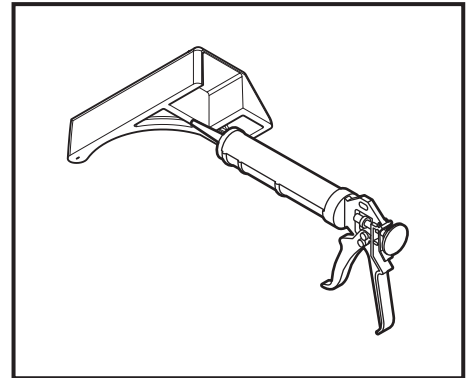
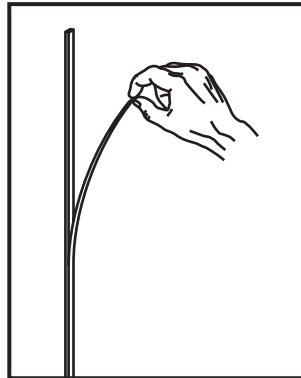
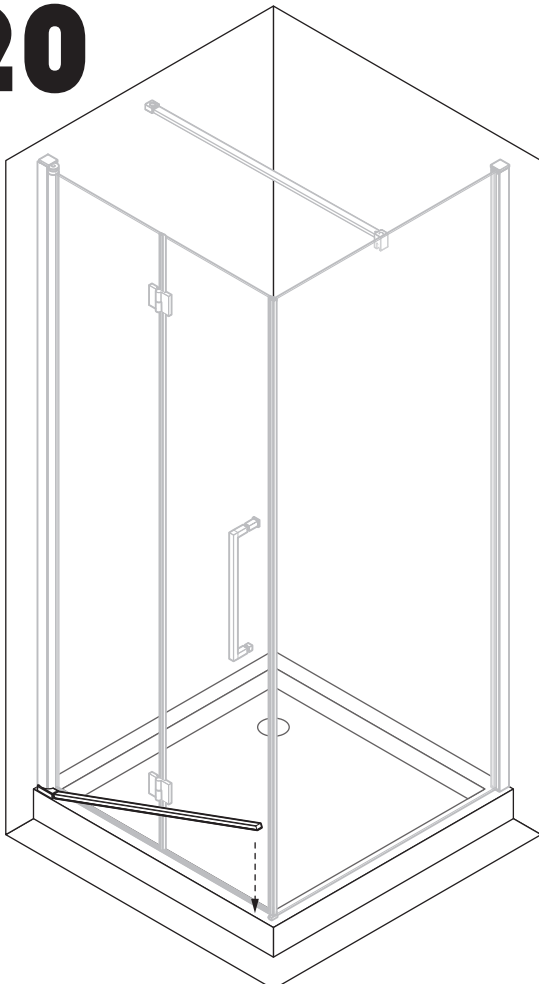
19



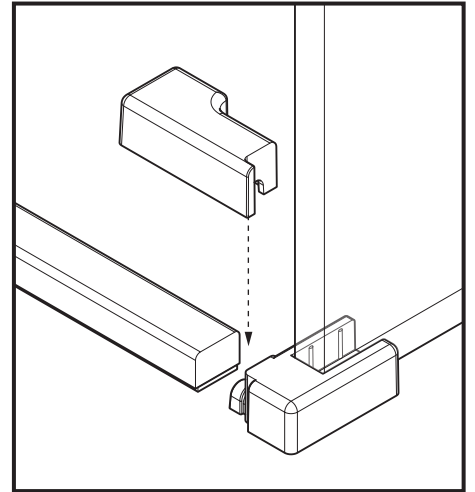
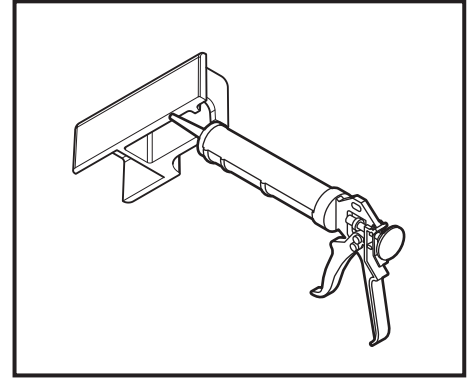
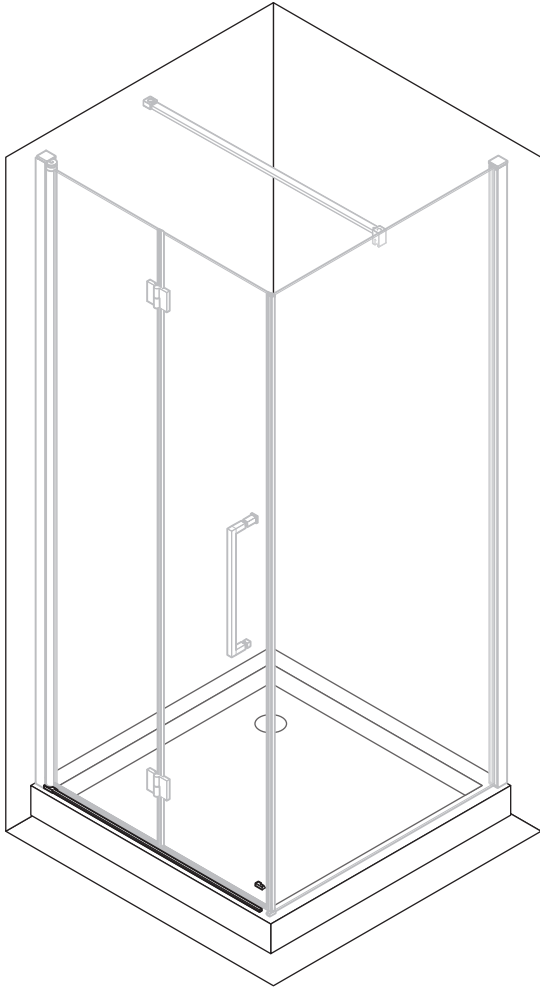
mod. 2GS	mm
58-60	482
60-62	502
66-69	562
68-70	582
70-72	602
74-77	642
76-78	662
78-80	682
80-82	702
86-88	762
88-90	782
90-92	802
96-98	862
98-100	882
100-102	902
116-118	1062
118-120	1082
120-122	1102



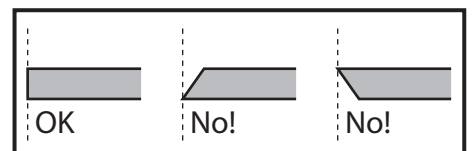
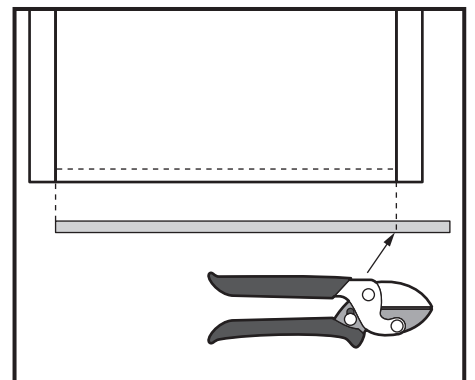
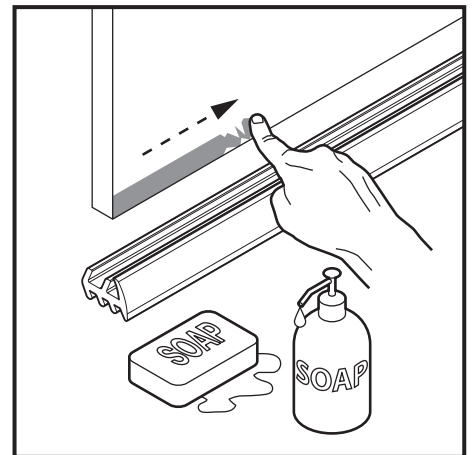
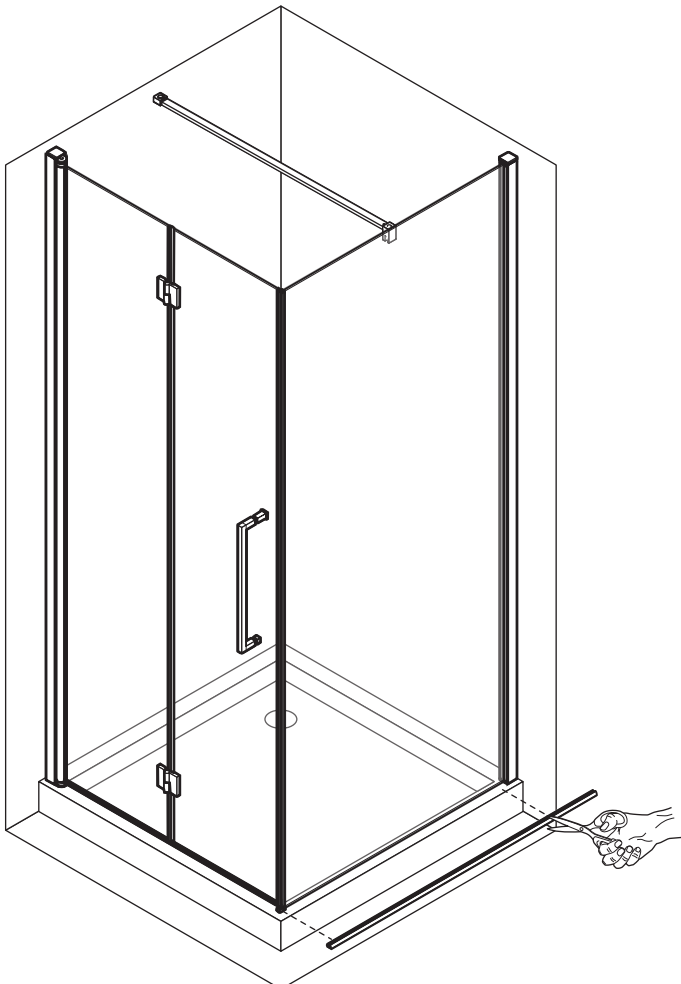
20



21



22



23

