

TECHNICAL DATA SHEET

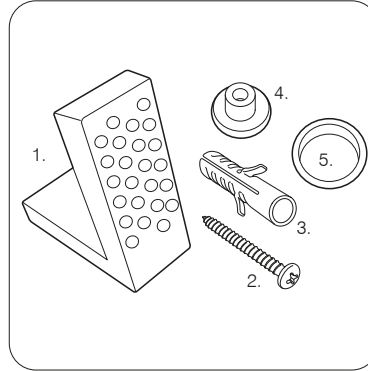
Paradigm CC Open Back WC Pan - PCCPAN2

ROPER RHODES®

NO.	Description	Product Code	Fixings included	Gross Weight
1	Soft Close Toilet Seat	DC14030	YES	2KG
2	Back to Wall WC	PCCPAN2	YES	30KG



Floor Fixings

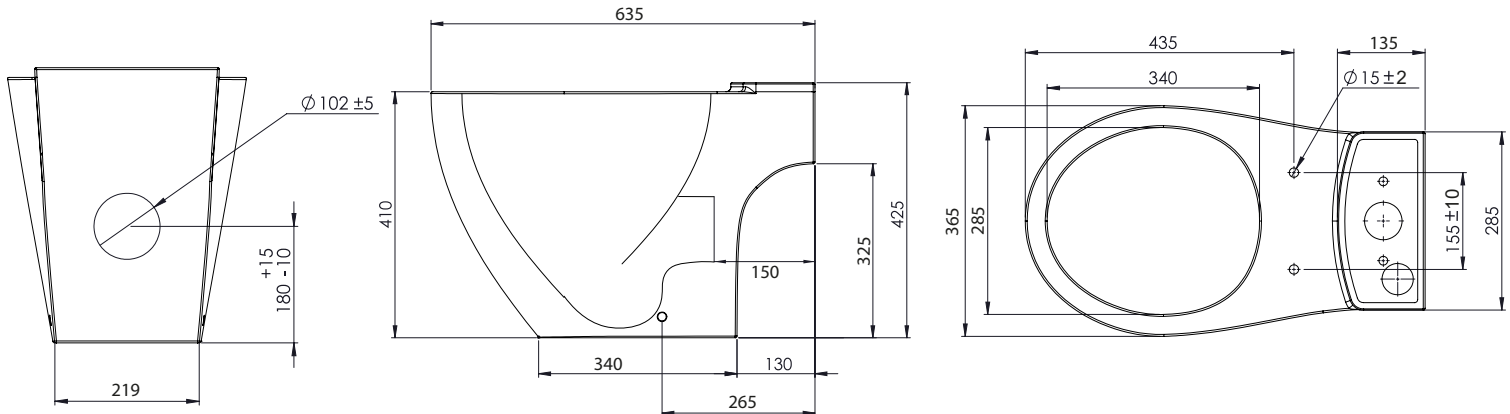


- 1. 2x Nylon Floor Bracket
- 2. 4x Stainless Steel Screws
- 3. 2x Nylon Screw Plugs
- 4. 2x Nylon Screw Collars
- 5. 2x Nylon Collars Caps (Metalic Finish)

Spare Code: SP14211

DIMENSIONS

DIAGRAMS NOT TO SCALE | ALL DIMENSIONS IN MM TOLERANCE OF ± 5 MM
ALL PRODUCTS CONFORM TO BRITISH STANDARDS



*Dimensions are subject to change, customers are advised to measure actual product before commencing installation.

**Fixing point dimensions are for guidance only. The positions of fixings must be checked when product is received.

FAQs

Q - Where is the inlet valve?
A - Bottom Inlet, Back right of the pan

Q - What is the flush volume?
A - 5/3L

Q - Are there any other compatible seats?
A - Yes, Neutron (8901WSC-SF)

Q - Rim type?
A - Rimless

Q - Does the cistern come with an air gap conforming inlet valve?
A - Yes

Q - Can this WC be used with a side connection outlet?
A - Yes

Key Dimensions Descriptions	Key Dimensions (mm)
Front to Back Footprint	340mm/470mm from wall
Left to Right Footprint	219mm
Bowl Front to Back	340mm
Bowl Left to Right	285mm
Pan Height	410mm
Pan Overall front to Back	635mm
Centre Waste Outlet to Floor	180mm
Width of Void	180mm
Is there a Ceramic Brace Bar	No
Distance from Spigot to back of Pan	150mm