

PM2 SQSHCVO C

PRISM Shower Range Prism Concealed Sequential Chrome Shower Valve



Specification

Finish/Colour:	Chrome
Main Construction Material:	Brass
No of Controls:	1
Shower Type:	Sequential
Valve/Cartridge Type:	Thermostatic
Maximum Hot Water Supply Temperature °C:	65
Plumbing System Suitability:	Suitable for all plumbing systems
Minimum Dynamic Pressure (bar):	0.2
Maximum Dynamic Pressure (bar):	5.0
Maximum Static Pressure (bar):	10
Connection Inlet:	15mm Compression
Connection Outlet:	G1/2"
Isolation Valve Included:	No
Check Valve Included:	Yes

Features:

- 15mm inlet connections
- 168mm inlet centres
- Thermostatic cartridge with preset temperature stop at 42°C
- Supplied with 2 x 8L/min flow regulators
- This shower valve has been designed to fit in any UK wall cavity and therefore only needs a 35mm deep cavity space
- Supplied with Easyfit wall outlet

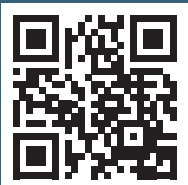
Product Certifications:



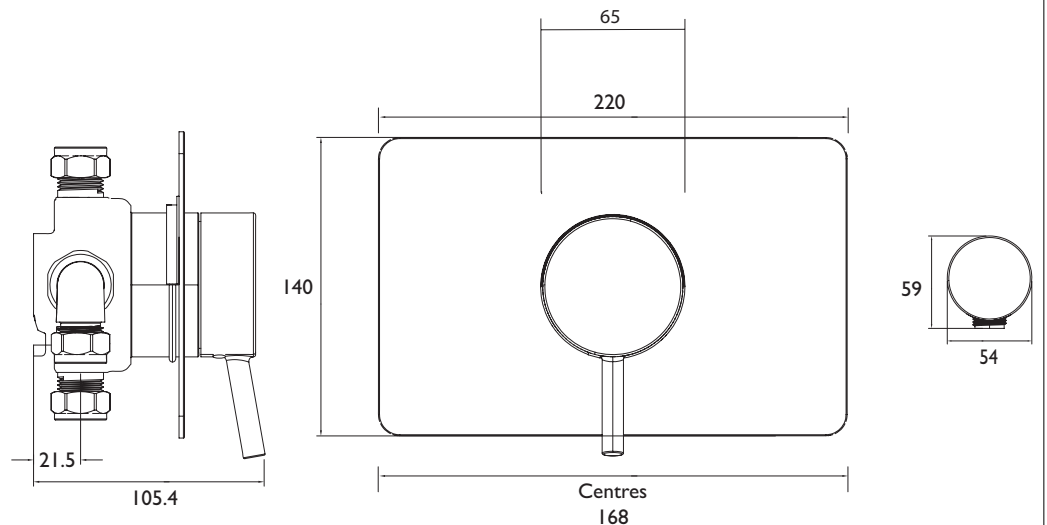
WRAS Certificate No: 2206907
WRAS Expiry Date: 30/06/2027



For more products, visit our website:
<http://www.bristan.com>



Dimensions (measurements in mm)



Flow Rates (l/min)

System Pressure (bar)	0.1	0.5	1	2	3	5
With Flow Limiters (mixed)	2.2	3.2	7	10.1	12.3	12.1
Without Flow Limiters (mixed)	6.3	19.5	27.6	39.0	47.8	61.7

TECHNICAL DATA SHEET



BRISTAN

D5