

# N2 CSHCVO C

# 1901 Shower Range

1901 Concealed Concentric Chrome Shower Valve Only



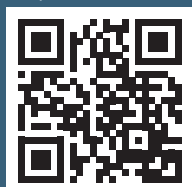
## Features:

- 15mm inlet connections
- 168mm inlet centres
- Thermostatic cartridge with preset temperature stop at 42°C
- Supplied with 2 x 8L/min flow regulators
- This shower valve has been designed to fit in any UK wall cavity and therefore only needs a 35mm deep cavity space

## Product Certifications:



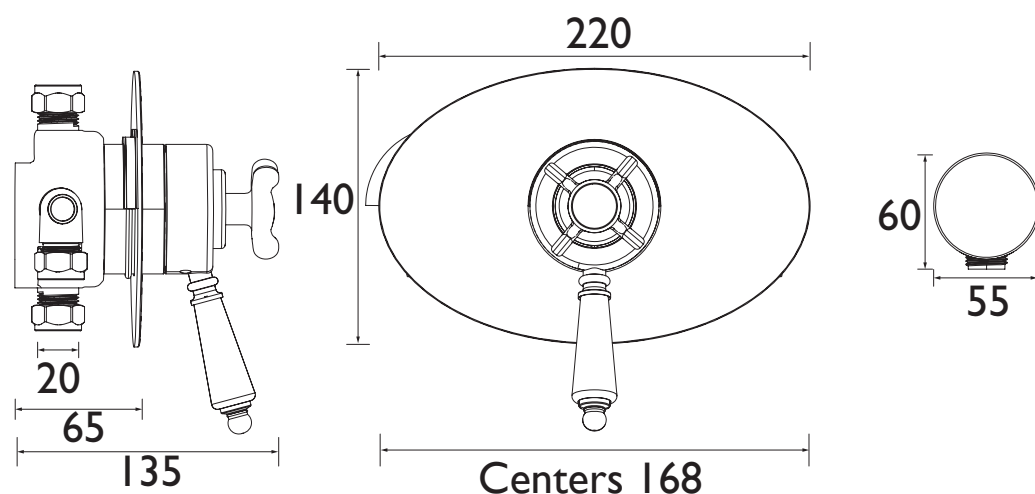
For more products, visit our website:  
<http://www.bristan.com>



## Specification

No of Controls:	2
Shower Type:	Bar
Shower Head Type:	None
Valve/Cartridge Type:	Recessed
Maximum Hot Water Supply Temperature °C:	65
Maximum Static Pressure: (bar)	10
Plumbing System Suitability:	All - Ideally Balanced
Working Pressure Range:	Min. 0.2 Bar, Max. 5.0 Bar
Connection Inlet:	1/2"
Connection Outlet:	1/2"
Isolation Valve Included:	No
Check Valve Included:	No

## Dimensions (measurements in mm)



## Flow Rates (l/min)

System Pressure (bar)	0.2	0.5	1	2	3	5
Through Handset (mixed)	9	5.4	7.8	11.3	11.1	11.4

TECHNICAL  
DATA  
SHEET



**BRISTAN**  
TAPS & SHOWERS

D4