

MT503CP

GUM Tap Range 15mm Thermostatic Mixing Valve



Features:

- Automatic shut off in the event of hot or cold water supply failure
- Check valves and serviceable filters as standard
- Operates at a maximum pressure differential of 10:1
- High pressure bath fill Part G compliant

Product Certifications:



WRAS Cert. Number: 1710079
WRAS Expiry Date: 31/10/2022



TMV2 Cert. Number: BC1860/1117
TMV2 Expiry Date: 16/11/2022



TMV3 Cert. Number: BC1861/1217
TMV3 Expiry Date: 13/12/2022

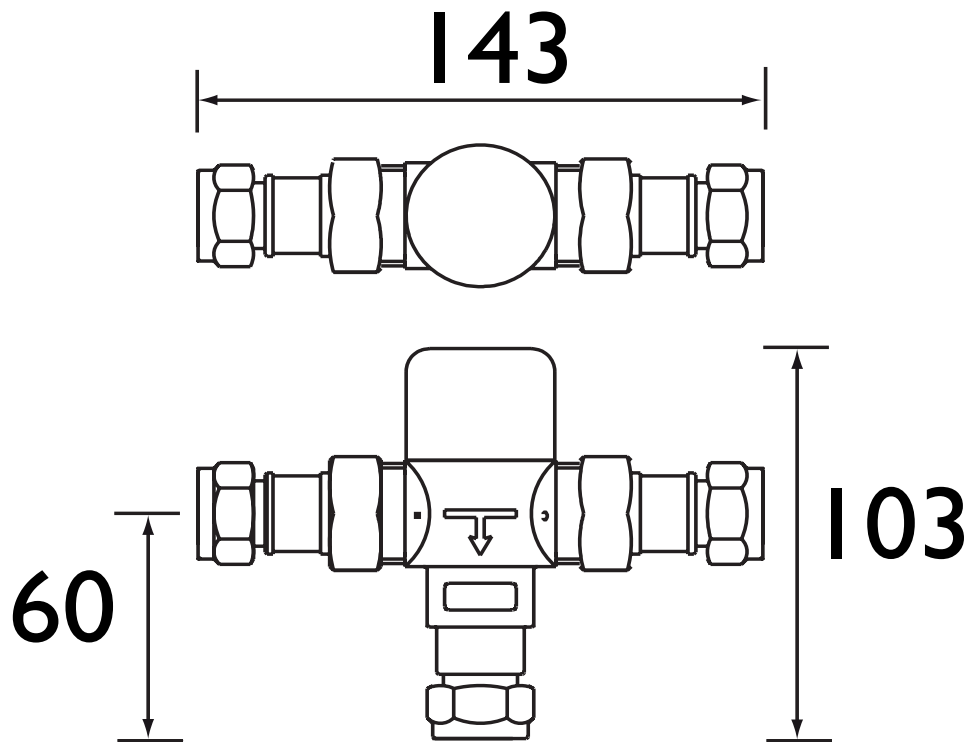
For more products, visit our website:
<http://www.bristan.com>



Specification

Product Type:	Mixing Valve
Main Construction Material:	Brass
Mount Type:	Wall
Shower Type:	Thermostatic Mixing
Connection Inlet:	15mm
Connection Outlet:	15mm
Valve/Cartridge Type:	Thermostatic
Plumbing System Requirements:	Suitable for all plumbing systems
Minimum Dynamic Pressure:	0.1 Bar
Maximum Dynamic Pressure:	5.0 Bar
Maximum Hot Water Temperature: °C	80
Maximum Static Pressure: (bar)	10
Flow Type:	Single Flow
Isolation Included:	Yes
Check Valve Included:	Yes

Dimensions (measurements in mm)



Flow Rates (l/min)

System Pressure (bar)	0.1	0.2	1	2	3	5
MT503CP	6	8.5	21.5	31	32.9	42.5

TECHNICAL DATA SHEET



BRISTAN