



pinnacle8
shower enclosures

K KUDOS

pinnacle8

The **peak** of enclosure **design**

pinnacle8 is a range of enclosures that represents new heights in shower design characterised by a minimalist cut out finger pull and easy fit wall posts with concealed fixings. Featuring 8mm toughened safety glass throughout and treated with Lifeshield™ protective coating for easy cleaning, all products are 2000mm high and covered by a lifetime guarantee against material or manufacturing defects for your complete peace of mind.

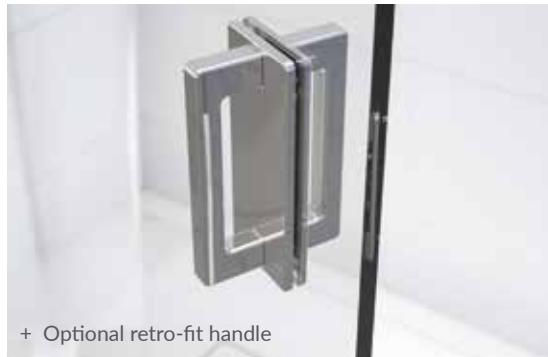


*Guarantee applies to material and manufacturing defects only.
See website for full Terms and Conditions.

pinnacle8



+ Minimalist finger pull



+ Optional retro-fit handle



+ Innovative easy to install wall post

pinnacle8

The **peak** of enclosure **design**

The **pinnacle8** collection features hinged, sliding and centre-folding door options to suit both recess and corner installations in sizes ranging from 760mm to 1800mm so there is sure to be a solution to suit you. With concealed fixings throughout, these stylish minimalist doors are both easy to install and stunning to look at.

All pinnacle8 doors feature

- + 8mm toughened safety glass
- + Crystal clear glass to glass seals
- + 2000mm high
- + Concealed fixings
- + Slimline profile with 20mm wall adjustment
- + Lifetime Guarantee*
- + Lifeshield™ Glass Protection



+ 800mm Hinged left hand door with 800mm side panel



pinnacle8

Hinged Doors

The **pinnacle8** hinged door is available in sizes ranging from 760mm to 1500mm so there is sure to be a solution to suit you. Stylish chromed rise and fall hinges, minimalist frameless design with crystal clear seals, pinnacle8 will enhance any bathroom design.

Features

- + Die Cast Chromed rise and fall hinges
- + Frameless side panels
- + Crystal clear corner seals

*An optional angled stabilising bracket is available for larger doors if additional stability is required.

**An optional handle is available if required.

Both angled bracket and handle can be retro fitted and only need to be purchased if preferred.

Hinged Door Options

Door Size	Price inc VAT
760mm	£655
800mm	£670
900mm	£700
1000mm	£730
1200mm	£785
1400mm	£830
1500mm	£855

Side Panel Options

Side Panel Size	Price inc VAT
700mm	£255
760mm	£270
800mm	£280
900mm	£300
1000mm	£325

All **pinnacle8** doors and side panels can be extended in 10mm increments with an extension post.

Extra Options

Product	Price inc VAT
*Angled Stabilising Bracket for Hinged Doors 1000mm Only	£80
*Angled Stabilising Bracket for Hinged Doors 1200mm+	£100
**Retro Fit Handle	£51
10mm Extension Post	£42

Suitable for:



For full technical details on this product, see **page 12**



+ 800mm Centre-Folding door with 800mm side panel



+ 800mm Centre-Folding door in recess



+ Crystal clear glass to glass corner seals



+ Concealed folding mechanism

pinnacle8

Centre-Folding Doors

The space saving centre-folding door, available in sizes ranging from 800mm to 1000mm is just perfect for the small to medium showing space. With a hidden door mechanism, concealed magnets and crystal clear seals you have an uninterrupted glass door with a firm door closure.

Features

- + Concealed die cast folding mechanism
- + Minimalist frameless design

**An optional handle is available if required.

† Please note that all pinnacle8 doors and side panels can be extended in increments of 10mm with **pinnacle8** extension profile. All sizes are nominal.

Suitable for:



Centre-Folding Door Options

Door Size	Price inc VAT
800mm	£705
900mm	£735
1000mm	£765

Side Panel Options

Side Panel Size	Price inc VAT
800mm	£265
900mm	£285

Extra Options

Product	Price inc VAT
**Retro Fit Handle	£51
10mm Extension Post†	£42

For full technical details on this product, see **page 13**



+ 1500mm Sliding door with 900mm side panel



+ 1200mm Sliding door in recess



+ Innovative easy to install wall post



+ Twin Rollers with stainless steel bearings

pinnacle8

Straight Sliding Doors

The **pinnacle8** sliding door is available in sizes ranging from 1000mm to 1800mm, perfect for the medium to large showering space. Semi frameless with Crystal Clear seals these minimalist doors giving an illusion of endless space.

Features

- + Twin Rollers with stainless steel bearings
- + Crystal clear corner seals

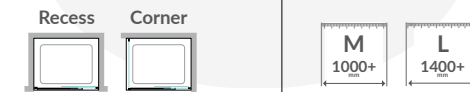
*An optional angled stabilising bracket is available for larger doors if additional stability is required.

**An optional handle is available if required.

Both angled bracket and handle can be retro fitted and only need to be purchased if preferred.

† Please note that all pinnacle8 doors and side panels can be extended in increments of 10mm with a **pinnacle8** extension profile. All sizes are nominal.

Suitable for:



Sliding Door Options

Door Size	Price inc VAT
1000mm	£710
1100mm	£740
1200mm	£770
1400mm	£825
1500mm	£855
1600mm	£830
1700mm	£910
1800mm	£940

Side Panel Options

Side Panel Size	Price inc VAT
700mm	£255
760mm	£270
800mm	£280
900mm	£300

Extra Options

Product	Price inc VAT
*Angled Stabilising Bracket for Sliding Doors 1100-1400mm	£80
*Angled Stabilising Bracket for Sliding Doors 1500mm+	£100
**Retro Fit Handle	£51
10mm Extension Post†	£42

For full technical details on this product, see **page 14**



+ 1200 x 900mm Offset quadrant enclosure



+ 900mm x 900mm Quadrant enclosure



+ Twin rollers with dynamic adjustment



+ Die cast bottom guides

Quadrant Enclosure Options

Door Size	Price inc VAT
Quad Sliding Door 900 x 900mm	£990

Offset Quadrant Enclosure Options

Door Size	Price inc VAT
Offset Quad Sliding Door 1200 x 900mm	£1090

Extra Options

Product	Product Code	Price inc VAT
**Retro Fit Handle	P8RH	£51
10mm Extension Post†	P8SOS	£42

† Please note that all **pinnacle8** doors and side panels can be extended in increments of 10mm with a pinnacle8 extension profile. All sizes are nominal.

pinnacle8

Quadrant Enclosures

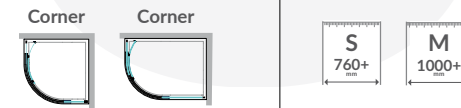
Surround yourself with a panoramic seamless expanse of glass. This semi-frameless **pinnacle8** Quadrant and Offset Quadrant features uninterrupted glass from wall to wall with its crystal clear seals and unique finger pulls.

Features

- + Twin Rollers with stainless steel bearings and dynamic adjustment
- + Semi-frameless panels
- + Die cast bottom guides

**An optional handle is available if required.

Suitable for:



For full technical details on this product, see **page 13**

PRODUCT SPECIFICATIONS

pinnacle8

Hinged Recess Door Options

Door Size	*Product Code	Dimensions (mm)					
		A	B	C	D	E	F
760mm	P8HR76	725-765	505	168-188	534	26	34
800mm	P8HR80	765-805	545	168-188	574	26	34
900mm	P8HR90	865-905	645	168-188	674	26	34
1000mm	P8HR100	965-1005	645	268-288	674	26	34
1200mm	P8HR120	1165-1205	645	468-488	674	26	34
1400mm	P8HR140	1365-1405	645	668-688	674	26	34
1500mm	P8HR150	1465-1505	645	768-788	674	26	34

*Please add **L** or **R** to the product code to indicate left or right handed door.

Hinged Corner Door Options

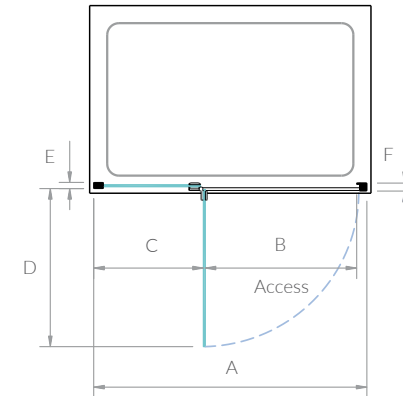
Door Size	*Product Code	Dimensions (mm)				
		A	B	C	D	E
760mm	P8HC76	730-750	530	168-188	555	26
800mm	P8HC80	770-790	570	168-188	595	26
900mm	P8HC90	870-890	670	168-188	695	26
1000mm	P8HC100	970-990	670	268-288	695	26
1200mm	P8HC120	1170-1190	670	468-488	695	26
1400mm	P8HC140	1370-1390	670	668-688	695	26
1500mm	P8HC150	1470-1490	670	768-788	695	26

*Please add **L** or **R** to the product code to indicate left or right handed door.

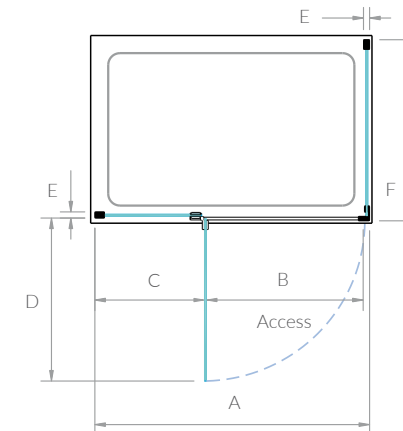
Door Height - 2000mm (excluding tray) **Hinged doors are supplied left hand or right hand**

All **pinnacle8** doors and side panels can be extended in increments of 10mm with a wall extension post.

Hinged Recess Door Diagram



Hinged Corner Door Diagram



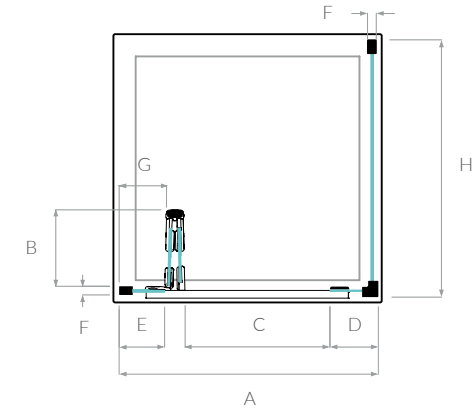
Side Panel Size	*Product Code	Dimensions (mm)
		F
700 mm	P8HC2SP70	670-690
760 mm	P8HC2SP76	730-750
800 mm	P8HC2SP80	770-790
900 mm	P8HC2SP90	870-890
1000 mm	P8HC2SP100	970-990

PRODUCT SPECIFICATIONS

pinnacle8

Centre Fold Door Options

Door Size	Product Code	Adjustments (mm)		Dimensions (mm)					
		RECESS (door only)	CORNER (door +1 side panel)	A	A	B	C	D	E
800mm	P8CF80	765-805	770-790	230	440	145	140	26	140
900mm	P8CF90	865-905	870-890	255	490	170	175	26	160
1000mm	P8CF100	965-1005	970-990	305	590	170	175	26	160



Side Panel Options

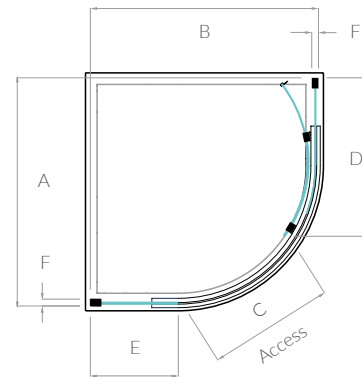
Side Panel Size	Product Code	Adjustments (mm)
		H
800mm	P8CF2SP80	770-790
900mm	P8CF2SP90	870-890

Door Height - 2000mm - excluding tray

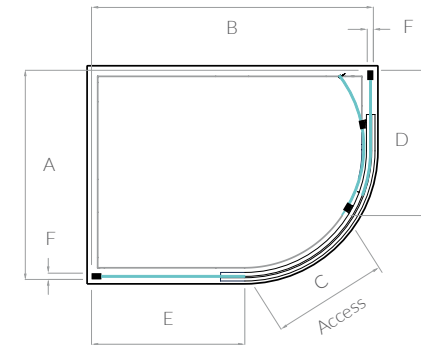
pinnacle8 centre-folding doors can be fitted to open either to the left or right

All **pinnacle8** doors and side panels can be extended in increments of 10mm with a wall extension post.

Quad Door Diagram



Offset Quad Door Diagram



Quadrant Enclosure Options

Door Size	Product Code	Adjustments (mm)		Dimensions (mm)			
		A	B	C	D	E	F
900 x 900mm	P8Q90	865-885	865-885	470	600-620	335-355	26

Door Height - 2000mm - excluding tray

Pinnacle8 quadrant sliding doors can be fitted to open either to the left or right

Offset Quadrant Enclosure Options

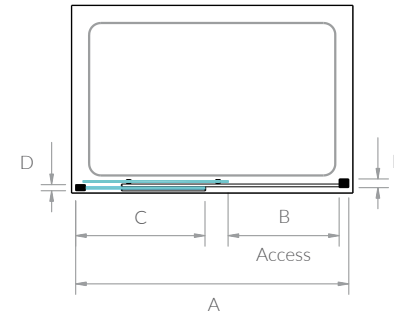
Door Size	Product Code	Adjustments (mm)		Dimensions (mm)			
		A	B	C	D	E	F
1200 x 900mm	P8Q129	1165-1185	865-885	470	600-620	635-655	26

PRODUCT SPECIFICATIONS

pinnacle8

Sliding Recess Door Options

Door Size	*Product Code	Dimensions (mm)				
		A	B	C	D	E
1000mm	P8SR100	965-1005	375-395	452-472	26	37
1100mm	P8SR110	1065-1105	375-395	552-572	26	37
1200mm	P8SR120	1165-1205	475-495	552-572	26	37
1400mm	P8SR140	1365-1405	575-595	652-672	26	37
1500mm	P8SR150	1465-1505	575-595	752-772	26	37
1600mm	P8SR160	1565-1605	575-595	852-872	26	37
1700mm	P8SR170	1665-1705	575-595	952-972	26	37
1800mm	P8SR180	1765-1805	575-595	1052-1072	26	37



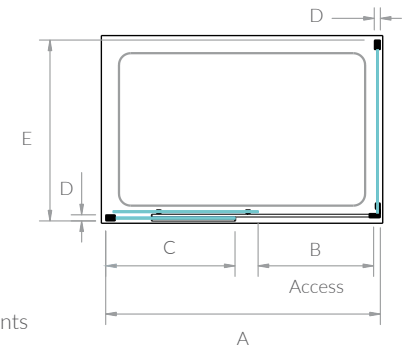
Door Height - 2000mm - excluding tray

pinnacle8 sliding doors can be fitted to open either to the left or right

Sliding Corner Door Options

Door Size	*Product Code	Dimensions (mm)			
		A	B	C	D
1000mm	P8SC100	970-990	400	452-472	26
1100mm	P8SC110	1070-1090	400	552-572	26
1200mm	P8SC120	1170-1190	500	552-572	26
1400mm	P8SC140	1370-1390	600	652-672	26
1500mm	P8SC150	1470-1490	600	752-772	26
1600mm	P8SC160	1570-1590	600	852-872	26
1700mm	P8SC170	1670-1690	600	952-972	26
1800mm	P8SC180	1770-1790	600	1052-1072	26

Side Panel Size	*Product Code	Dimensions (mm)
		E
700mm	P8SC2SP70	670-690
760mm	P8SC2SP76	730-750
800mm	P8SC2SP80	770-790
900mm	P8SC2SP90	870-890



All **pinnacle8** doors and side panels can be extended in increments of 10mm with a wall extension post.

Door Height - 2000mm - excluding tray

pinnacle8 sliding doors can be fitted to open either to the left or right

Kudos trays to suit pinnacle8 doors and enclosures

Size (Length x Width)	Kudos Shower Trays				
	Kstone		Connect2		
	Price Inc. VAT	Price Inc. VAT (Anti-Slip Coating)	Price Inc. VAT	Price Inc. VAT (Anti-Slip Coating)	
760mm x 760mm	SQUARE	£117	£170	-	-
800mm x 800mm		£129	£188	£201	£260
900mm x 900mm		£148	£222	£217	£290
1000mm x 1000mm		£170	£260	-	-
900mm x 760mm	RECTANGLE	£141	£198	-	-
900mm x 800mm		£146	£208	-	-
900mm x 900mm		£151	£215	-	-
1000mm x 700mm		£151	£214	-	-
1000mm x 760mm		£155	£224	-	-
1000mm x 800mm		£159	£232	£260	£260
1000mm x 900mm		£163	£245	£290	£290
1100mm x 700mm		£163	£233	-	-
1100mm x 760mm		£170	£245	-	-
1100mm x 800mm		£174	£253	-	-
1100mm x 900mm		£177	£267	-	-
1200mm x 700mm		£177	£253	-	-
1200mm x 760mm		£181	£264	-	-
1200mm x 800mm		£183	£271	£254	£254
1200mm x 900mm		£190	£287	£265	£265
1400mm x 700mm		£250	£339	-	-
1400mm x 800mm		£253	£355	£318	£318
1400mm x 900mm		£259	£373	£329	£329
1500mm x 700mm		£259	£354	-	-
1500mm x 800mm		£264	£373	£329	£329
1500mm x 900mm	£267	£390	£339	£339	
1600mm x 700mm	£270	£372	-	-	
1600mm x 800mm	£277	£393	£339	£456	
1600mm x 900mm	£283	£413	-	-	

Size (Length x Width)	Kudos Shower Trays				
	Kstone		Connect2		
	Price Inc. VAT	Price Inc. VAT (Anti-Slip Coating)	Price Inc. VAT	Price Inc. VAT (Anti-Slip Coating)	
1700mm x 700mm	RECT	£287	£395	-	-
1700mm x 800mm		£294	£418	£360	£484
1700mm x 900mm		£301	£440	-	-
900mm Quadrant	QUAD	£146	£219	£244	£317
1200mm x 900mm Offset Quadrant		£165	£257	£286	£371



Kstone

Durable & stylish shower trays

Kstone 45mm high shower trays are available in rectangular, square, quadrant and offset quadrant shapes in a wide range of sizes. Suitable for a 90mm waste (supplied separately)



connect2

A **revolution** in shower tray design

The stunning looking **connect2** is a uniquely designed low level shower tray just 35mm high, featuring two offset waste positions that ensures an obstruction free connection. **connect2** Trays come supplied with a high flow 50mm waste.

For full technical details, see our [shower tray brochure](#)

Manufactured in our own UK factories and covered by a lifetime guarantee, all Kudos shower trays are made from the highest quality materials. These include an acrylic capped ABS skin, which provides a superb high gloss finish, that is durable as well as being resistant to impact damage and staining. The structural resin bonded stone filler provides incredible stability.



Kudos Shower Products Ltd

Elmsfield Park, Holme
Cumbria LA6 1RJ
United Kingdom

Telephone: +44 (0)15395 64040

Fax: +44 (0)15395 64141

Email: sales@kudosshowers.co.uk

www.kudosshowers.co.uk