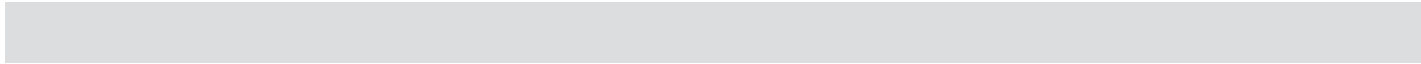


Ⓒ User Manual PATIO HEATER
"MONTEREY"

Version 2022
Art. No. 2142UK



Contents

Before using the device	4
Delivery contents	4
Intended use	4
For your safety	4 - 6
Signal symbols	4
General safety instructions.....	4
Safety instructions	4 - 6
Before first use	6
Assembly	6 - 7
Preparation	6
Required tools	6
Assembling the patio heater.....	6 - 7
Setting up the patio heater	8
Selecting the heat level	8
Cleaning and maintenance	8
Technical data	8
Disposal	8
Declaration of conformity	8
Service	8
Distributor	8

Before using the product

After unpacking and before use, check the product for damages. Should the product be damaged, do not use it and contact your retailer.

This user manual is based on the norms and regulations valid in the European Union. Should you be located outside of the EU, please follow all guidelines and legislation in your country of residence!



Read the safety instructions and instructions for use thoroughly before using the product. Doing so will allow you to use all the product's functions safely and reliably.

Keep the operating instructions and give them to any third party who might own the BBQ after you.

Delivery contents

1	Screw M6x20	2
2	Washer	2
3	Base	1
4	Base cover	1
5	Base bracket	1
6	Deco. board	2
7	Cord clip	1
8	Plug	1
9	Screw M4x28	2
10	Aluminium fixture	3
11	Screw M4x6	3
12	Screw M8x6	3
13	L Bracket	3
14	Control box	1
15	Screw M6x16	3
16	Heater switch	1
	Allen key	1

Please check whether the scope of delivery is complete and undamaged. Contact your retailer if a piece is missing or damaged. Complaints regarding damaged or missing pieces made after assembly is completed or begun will not be recognized.

Intended use

This product can be used both indoors and outdoors.

Only use the item as described in this operating manual. All other uses are considered improper and can lead to material damage or even to personal injuries.

The manufacturer accepts no liability for damages caused by improper use.

This device is designed exclusively for private (i.e. non-commercial) use.

For your safety

Signal symbols

Danger High risk!



Disregarding this warning can lead to danger to life and limb.

Attention Medium risk!



Disregarding this warning can lead to property damage.

Caution Low risk!



Facts you should know when using the product.

GENERAL SAFETY INSTRUCTIONS - to be observed in each use

- Read the **instructions** before operation.
- The instructions are to be kept for future use.
- **CAUTION! Accessible parts can be very hot. Keep children away.**
- Do not move the device when it is in operation.
- Do not use the device in:
 - Tents, recreational vehicles such as caravans / mobiles and boats etc.

Safety instructions

Danger Risk of electric shock !



This device is an electrical appliance for domestic use and is not designed for industrial or professional use.

- Before using the device for the first time, please check that the type of current and the mains voltage match the information on the rating plate.
- This device can be used both indoors and outdoors. However, the socket must be located indoors. The device must not be permanently attached to the ground outdoors.
- Before inserting the plug into the mains socket, make sure that the device is switched off.
- Do not use the device if the device or the power cord is damaged or if it has been dropped.
- Only connect the electric BBQ to a socket with alternating current and an earth contact, with a voltage of 230V/50Hz. The minimum protection on the socket should be 10 amperes.
- Additional protection is afforded by the installation in your home of a residual current device with a nominal release current of no more than 30 mA. Seek advice from your electrician.
- If the device appears to be damaged or malfunctioning, the mains plug must be pulled out of the socket immediately.
- Improper handling when electric current is involved can have lethal consequences.
- Do not pull the mains plug out of the socket by the cable.
- Regularly check the mains plug and mains cable for damage.
- Do not transport the device while it is in use.
- Place the device on a flat, heat-resistant surface. The device is equipped with a protective function that switches it off if it is not in an upright position.

- To ensure a stable installation, always place the device on a firm and level surface that can reliably support the weight of the device.
- Keep flammable materials such as textiles away.
- Operate the device in a secure area, sufficiently distant from playing children or wandering pets.
- The device is splash-proof (IPX4), but should not be placed near water or other liquids, or in locations where water and other liquids could collect.
- If it starts raining, immediately unplug the mains plug and handling the device carefully, place it in a dry place.
- Never attempt to repair the device yourself. In case of malfunction, have the device repaired by qualified experts only. Do not open the housing yourself under any circumstances.
There is a risk of electric shock!
- If the mains cable of this device is damaged, it must be replaced by the manufacturer or its service department in order to avoid dangers.
- Avoid damage to the mains plug through squeezing, bending, or rubbing on sharp corners, and keep it away from hot surfaces.
- When using an extension cord, it must be suitable for the corresponding power requirements.
- Lay the cable, as well as any extension cable that may be needed, in such a way that unintentional pulling or tripping over it is not possible.
- To avoid electric shock, never allow the device, cable or plug to come into contact with water or other liquids.
- Never touch the device after it has fallen into water. Switch off the power supply and pull out the power plug. Do not use the device again until it has been checked and approved by a qualified electrician.
- Never touch the thermostat or power plug with wet or damp hands.
- Do not insert any objects into the inside of the housing.
- If the device is not in use, is being cleaned, is overturned or does not work properly, switch the device off and unplug the power cord.
- Do not use this device in the vicinity of a bathtub, shower, or a swimming pool.
- Use the device only in moderate latitudes. Tropics and particularly humid climates should be avoided.
- The device must not be installed directly below a wall socket.
- Do not use this device with a timer switch or a separate remote control system.

Danger Fire hazard!



Parts of the device become very hot during operation and can ignite fires.

- Always have a fire extinguisher and a first aid kit ready and be prepared in the event of an accident or fire.
- Place the device on a flat, horizontal, safe, heat-resistant and clean surface.
- Set up the device so that it is at least 1 m from walls, ceilings and easily flammable materials such as garden furniture.
- Do not transport the device during operation.
- Only transport the device when it has cooled down.
- Before each change of location, the device must be switched off and the power plug pulled out.

- Do not leave the device unattended during operation.
- Do not use sprays near the device.

Danger Risk of burning!



Do not cover the ventilation openings.



Under no circumstances may the device be covered with clothing, blankets, insulating or similar material.

Danger Risk of burning and accidents!



This device is not intended for use by persons (incl. children) with limited physical, sensory, or mental capacities or lacking experience and/or lacking knowledge.

- Such persons must be informed about the dangers of the device and supervised by a person responsible for their safety.
- All modifications to the product present a great safety risk and are prohibited. Do not tamper with the device yourself. In case of damages, repairs or other problems with the grill, contact our service point or a professional in your area.
- Keep children and pets away from the device.

The device becomes very hot during operation, so that any contact with it can lead to extremely severe burns.

- Keep away from hot parts as any contact can cause severe burns.
- Note that various components can store heat and so can still lead to burns even after the device has been used.

Danger Hazards for children!



Children may become entangled in packaging foil and suffocate.

- Never let children play with packaging material.

Danger Risk of injury!



Do not set up the device near entryways or heavily trafficked zones.

- Always be attentive and aware of what you are doing. Do not use the product when you are lacking in concentration or are tired and/or under the influence of drugs, alcohol or medication. One moment of inattention while using the product is enough to lead to severe injury.
- In strong winds, precautions must be taken to prevent the device from tipping over.

Attention Risk of damage!



Do not use any strong or abrasive solvents or scouring pads as such products attack the grill's surfaces and leave permanent markings.

- Do not expose the device to adverse weather conditions such as rain, wind or snow. The device should be kept indoors overnight.

Danger Risk of burning and accidents!



Do not make any changes to the device. Use only original accessories.

- Any change to the device leads to the immediate expiry of the guarantee and can also be dangerous!

Danger Risk of explosion!



Do not use the device in an explosive environment in which there are substances such as flammable liquids, gases and, in particular, paint and dust mist. These substances can ignite from hot surfaces on the device.

Before first use

Check whether the scope of delivery is complete and in perfect condition.

Contact your seller immediately if the scope of delivery is incomplete or defective.

Do not operate the device if it is defective.

Assembly

Preparation

Danger Risk of injury!



Failure to follow these instructions can lead to problems and risks while using the grill.

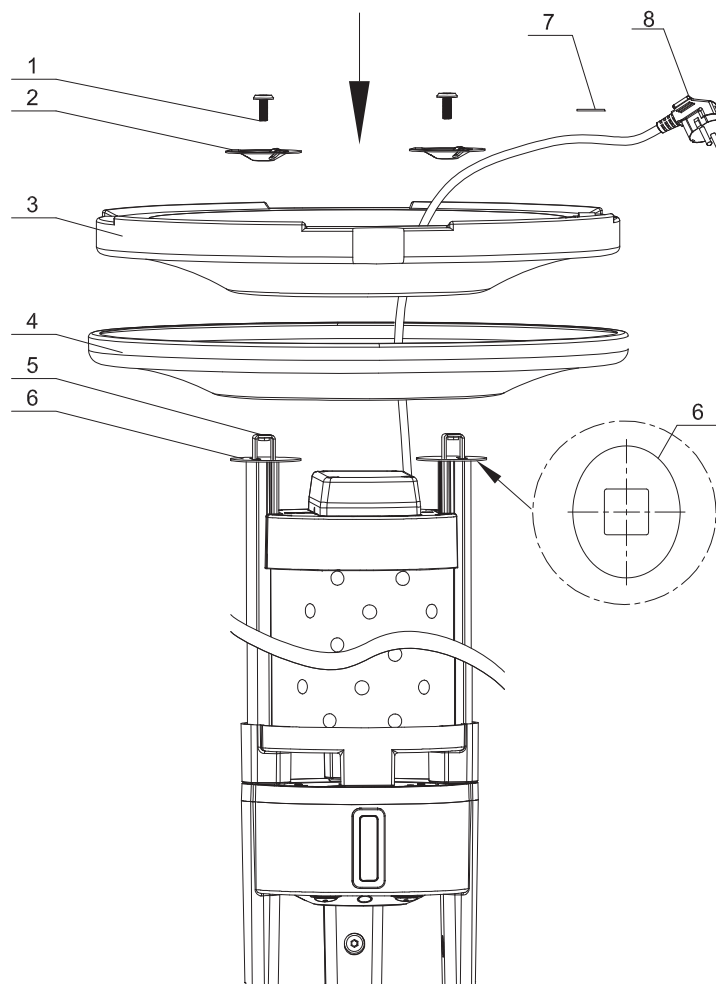
- Follow each assembly step described here.

Required tools

1 x Phillips screwdriver

Assembling the patio heater

Step 1



Put a blanket on the floor and turn the heater upside down.

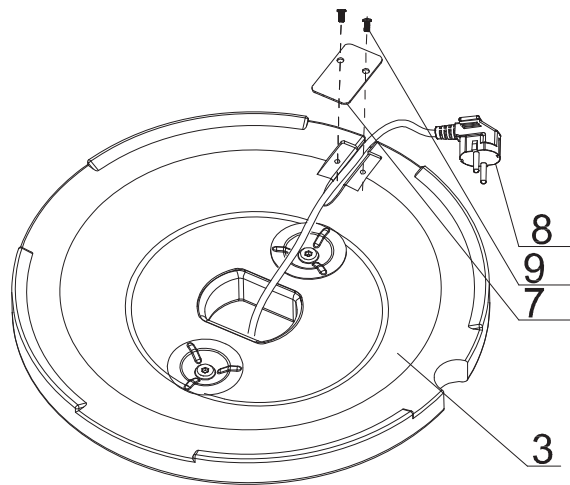
Place the deco. boards (6) on the base bracket (5).

Guide the plug (8) and the power cord through the holes in the middle of the base cover (4) and the base (3).

Then place the base cover (4), the base (3) and the washers (2) on the base bracket (5).

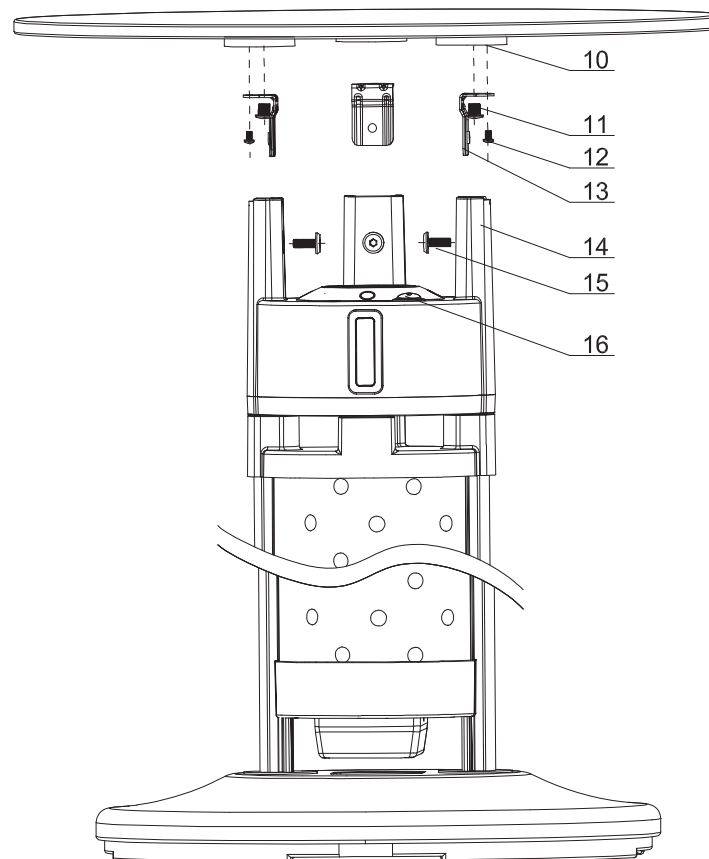
Fix the parts with the screws (1).

Step 2



Fasten the power cable with the cord clip (7) and fix it to the base (3) with the screws (9).

Step 3



Place the device on the base.

Fasten the L brackets (13) to the aluminum fixtures (10) with screws M8x6 (12) and M4x6 (11).

Push the L brackets (13) into the holes in the control box (14).

Fasten the L brackets (13) to the control box (11) with the M6x16 screws (15).

The patio heater is now fully assembled and can, if necessary, be dismantled in the reverse order.

Important: All screws must be tightened securely

Setting up the patio heater

Attention Risk of damage!



During use, the screws can loosen slowly and impair the grill's stability.

- Check that all screws are tightened before use. If necessary, tighten all screws to guarantee stability.
- Place the device on a flat, heat-resistant surface. The device is equipped with a protective function that switches it off if it is not in an upright position.
- To ensure a stable installation, always place the device on a firm and level surface that can reliably support the weight of the device.

Heating

Use the toggle switch to turn the device on and off.

Danger Risk of injury



The heater housing remains hot for some time even after the device has been switched off. Always allow the device to cool down before adjusting or relocating it.

Cleaning and Maintenance

Danger Risk of burning!



Let the patio heater cool down completely before cleaning.

Attention Risk of damage!



Do not use any strong or grinding solvents or abrasive pads, since these can attack the surfaces and leave behind scrape marks.

- Do not use abrasive cleaners, scouring solutions or cleaning agents such as kerosene, thinner, gasoline or the like.
- Carefully clean the device with a damp, soft cloth, with or without soapy water.
- Use a soft, clean cloth for drying.
- If you are not going to use the device for a long period of time, store it in a dry, dust-free place.
- You can store the device partially dismantled or in an assembled state. It is only important that you store the device in a dry and safe place. If you store the device in a disassembled state, it is recommended that you use the original packaging.

Technical Data

Product:	Item. No. 2142UK Patio heater "Monterey"
Weight:	approx. 15.3 kg
Dimensions:	approx. 50 x 50 x 65 cm
Operating voltage:	220V~240V 50Hz
Heating capacity:	max. 2 kW
Max. power consumption:	1200 W
Protection type:	IP44
Cable length:	approx. 1.8 m

Disposal



The packaging is made from environmentally friendly materials, which you can dispose of at your local recycling points.



Do not under any circumstances dispose of the device in normal household waste! Dispose of it at an approved disposal business or at your community disposal facility. Respect the currently valid regulations. If in doubt, get in touch with your disposal facility.

Declaration of conformity

This product fulfills the valid European and national directives. This is confirmed by the CE and UKCA mark (corresponding declarations are lodged with the manufacturer).

Service

For inquiries about spare parts or technical questions, please contact your contract partner.

Subject to technical modifications and typographical errors.

Distributor

TEST RITE (UK) Ltd, Unit E, The Foundry, London Road, Kings Worthy, Winchester, Hampshire, SO23 7QN, United Kingdom

Web: www.tepro-uk.com

